



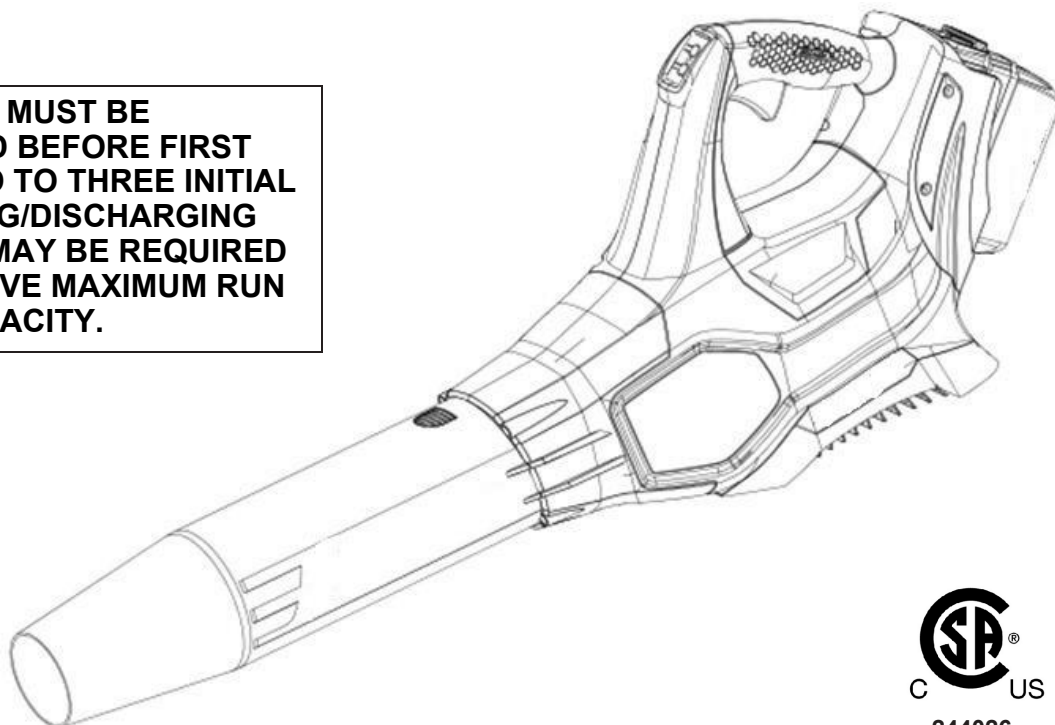
## OWNER'S MANUAL

### CORDLESS 62 VOLT LITHIUM BLOWER

Copyright. All Rights Reserved.

**Model LB20062S**

**BATTERY MUST BE CHARGED BEFORE FIRST USE. TWO TO THREE INITIAL CHARGING/DISCHARGING CYCLES MAY BE REQUIRED TO ACHIEVE MAXIMUM RUN TIME/CAPACITY.**



CA Compliant  
charger included,  
Model No.  
CHL86200

Your cordless blower has been engineered and manufactured to our high standard for dependability, ease of operation, and operator safety. Properly cared for, it will give you years of rugged, trouble-free performance.



**WARNING:** To reduce the risk of injury, the user must read and understand the owner's manual before using this product.

Thank you for your purchase.

**DO NOT RETURN THIS PRODUCT TO THE STORE.  
OPERATING, ASSEMBLY, PARTS, SERVICE QUESTIONS?  
GO TO [SCOTTS.AMERICANLAWNMOWER.COM](http://SCOTTS.AMERICANLAWNMOWER.COM), OR CALL  
1-800-618-7474 BETWEEN 8:00AM-5:00PM EST FOR  
ASSISTANCE.**

---

**SAVE THIS MANUAL FOR FUTURE REFERENCE**

---

## ⚠ IMPORTANT SAFETY WARNINGS ⚠

### TO REDUCE RISK OF INJURY:

Before any use, be sure everyone using this tool reads and understands all safety instructions and other information contained in this manual.

- ⚠ **CAUTION:** Wear appropriate personal hearing protection during use. Under some conditions and duration of use, noise from this product may contribute to hearing loss.

Save these instructions and review frequently prior to use and in instructing others.

- ⚠ **WARNING:** When using electric gardening appliances, basic safety precautions should always be followed to reduce risk of fire, electric shock, and personal injury, including the following:

### READ ALL INSTRUCTIONS

## GENERAL SAFETY

**DRESS PROPERLY** – Don't wear loose clothing or jewelry. Wear protective hair covering to contain long hair. They can be caught in moving parts. Use of rubber gloves and substantial footwear is recommended when working outdoors. Do not operate while bare foot or wearing open shoes.

**USE SAFETY GLASSES** –Wear safety glasses with side shields or goggles that are marked to comply with ANSI Z87.1 standard when operating this product. Use face or dust mask if environment is dusty.

**USE RIGHT APPLIANCE** – Do not use appliance for any job except that for which it is intended.

**REMOVE BATTERY FROM BLOWER**—when not in use or when servicing or cleaning. Do not leave unattended.

**CHECK DAMAGED PARTS** – Before further use of the Blower, any part that is damaged should be carefully checked to determine that it will operate properly and perform its intended function. Check for alignment of moving parts, binding of moving parts, breakage of parts, mounting and any other condition that may affect its operation. A part that is damaged should be properly repaired or replaced.

**LIGHTING** - Only operate Cordless Blower in daylight or good artificial light.

**DON'T OVERREACH** – Keep proper footing and balance at all times.

- ⚠ **WARNING:** Do Not use the Cordless Blower with any type of accessory or attachment. Such usage might be hazardous.

**AVOID DANGEROUS ENVIRONMENTS** – Don't use Cordless Blower in rain, damp or wet locations. Do not operate Cordless Blower in gaseous or explosive atmospheres. Motors in these tools normally spark, and the sparks might ignite fumes.

**AVOID UNINTENTIONAL STARTING** – Don't carry the Cordless Blower with finger on switch.

**DO NOT ATTEMPT** to move rocks or sharp materials while operating Blower unit. Do not use the Cordless Blower for any purpose other than that for which it was designed.

**PROTECT YOUR HEARING.** Wear hearing protection during extended periods of operation. Following this rule will reduce the risk of serious personal injury.

**DO NOT PUT ANY OBJECT INTO OPENINGS.** Do not use with any opening blocked; keep free of dust, lint, hair, and anything that may reduce air flow.

- ⚠ **WARNING:** Use only accessories that are recommended by the manufacturer for your model described in this manual. Accessories that may be suitable for one blower may create a risk of injury when used on another blower. Use only as described in this manual.

- ⚠ **WARNING:** Turn off all controls before removing battery.

- ⚠ **WARNING:** Use extra care when cleaning on stairs or steps.

- ⚠ **CAUTION:** Keep children and small pets a safe distance away while operating the Cordless Blower. Flying Debris can cause personal injury.

**DON'T FORCE CORDLESS BLOWER** – It will do the job better and with less likelihood of a risk of injury at the rate for which it was designed.

**STAY ALERT** – Watch what you are doing. Use common sense. Do not operate Cordless Blower when you are tired or under the influence of medications, drugs or alcohol.

**MAINTAIN CORDLESS BLOWER WITH CARE** – Keep blower tube and handles clean for best performance and to reduce the risk of injury. Keep handles dry and free from oil and grease.

- ⚠ **WARNING:** California Proposition 65:

This product contains chemicals known to the States of California to cause cancer, birth defects or other reproductive harm.

- ⚠ **WARNING:** Some dust created by this product contains chemicals known to the State of California to cause cancer, birth defects or other reproductive harm. Some examples of these chemicals are:

- compounds in fertilizers
- compounds in insecticides, herbicides and pesticides
- arsenic and chromium from chemically treated lumber

To reduce your exposure to these chemicals, wear approved safety equipment such as dust masks that are specially designed to filter out microscopic particles.

- ⚠ **WARNING:** Cancer and Reproductive Harm - [www.P65Warnings.ca.gov](http://www.P65Warnings.ca.gov).

- ⚠ **CAUTION:** Disconnect battery pack from blower before making any adjustments, changing accessories, or storing the blower. Such preventive safety measures reduce the risk of starting the blower accidentally.

- ⚠ **CAUTION:** When battery pack is not in use, keep it away from other metal objects like: paper clips, coins, keys, nails, screws, or other small metal objects that can make a connection from one terminal to another. Shorting the battery terminals together may cause sparks, burns, or a fire.

- ⚠ **CAUTION:** Use only the following type and size battery(ies): BL86225, BL86240, BL86250.

Do not allow to be used as a toy. Close attention is necessary when used by or near children.

If appliance is not working as it should, has been dropped, damaged, left outdoors, or dropped into water, return it to a service center.

Keep hair, loose clothing, fingers, and all parts of body away from openings and moving parts.

Do not use a battery pack or appliance that is damaged or modified. Damaged or modified batteries may exhibit unpredictable behavior resulting in fire, explosion or risk of injury.

Do not expose a battery pack or appliance to fire or excessive temperature. Exposure to fire or temperature above 130°C may cause explosion. The temperature of 130°C can be replaced by the temperature of 265°F.

Follow all charging instructions and do not charge the battery pack or appliance outside of the temperature range specified in the instructions. Charging improperly or at temperatures outside of the specified range may damage the battery and increase the risk of fire.

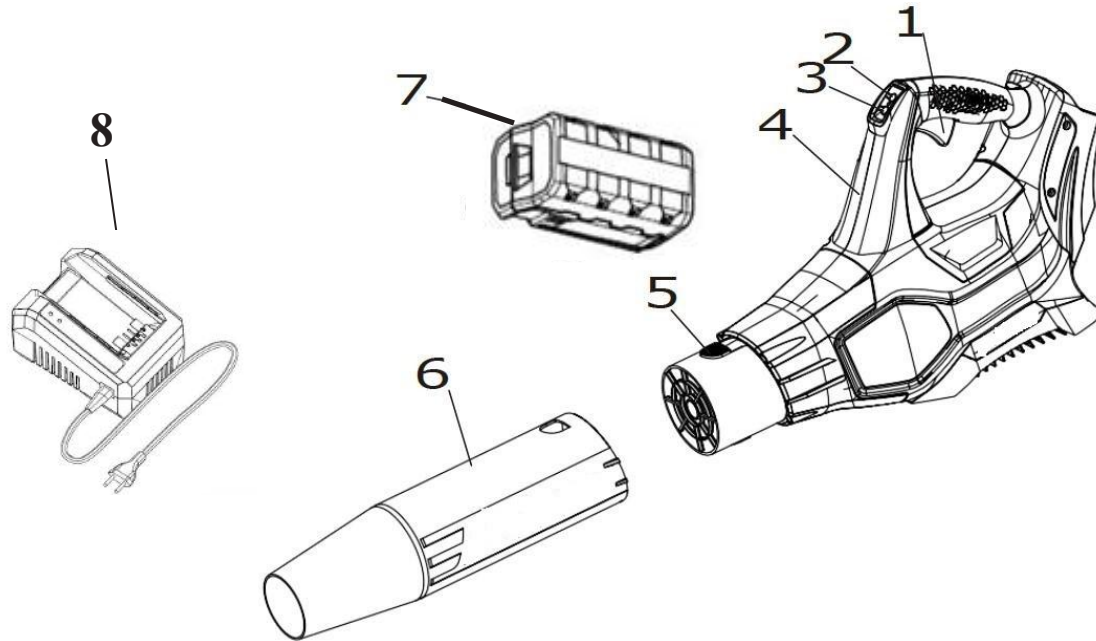
### FOR HOUSEHOLD USE.

# FEATURES

## PRODUCT SPECIFICATIONS

### LB20062S

Input .....	62 V, DC only
Battery .....	62 V, 2.5Ah
Speed .....	100-140 MPH/ 355-500 CFM
Tube Length .....	15.7 In.
Weight .....	9.6 LBS (4.36 KGS)



No.	Description	No.	Description
1	Power Trigger	5	Tube Latch
2	Turbo Button	6	Blower Tube
3	Safety lock Button	7	Battery Pack
4	Motor Housing	8	Charger

## ASSEMBLY

### PACKING LIST

- Blower
- Blower Tube
- Battery and Charger
- Owner's manual

This product requires some assembly.

Carefully remove the product and any accessories from the box. Make sure that all items listed in the packing list are included.

Inspect the product carefully to make sure no breakage or damage occurred during shipping.

Do not discard the packing material until you have carefully inspected and satisfactorily operated the product.

If any parts are damaged or missing, please call 1-800-618-7474 for assistance.

To prevent accidental starting that could cause serious personal injury, always remove the battery pack from the blower when assembling parts.

### TUBE ASSEMBLY (Fig. 1)

Slide blower tube over the blower housing outlet until the tube latch locks into place through the opening in the blower tube.

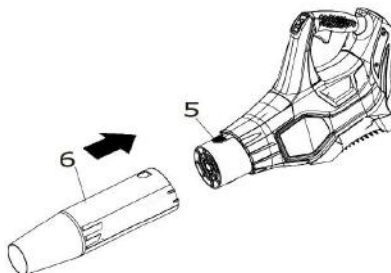


Fig.1

## ASSEMBLY

### INSTALLING BATTERY PACK (Fig. 2 )

- Place the battery pack in the blower's battery port. Align the raised rib on the battery pack with the groove in the blower's battery port.
- Make sure the latch on bottom of the battery pack snaps in place and that battery pack is secured in the blower before beginning operation.

### REMOVING BATTERY PACK (Fig. 2 )

- Release the trigger to stop the blower.
- Press and hold the latch button at the bottom of the battery pack.
- Remove battery pack from the blower.

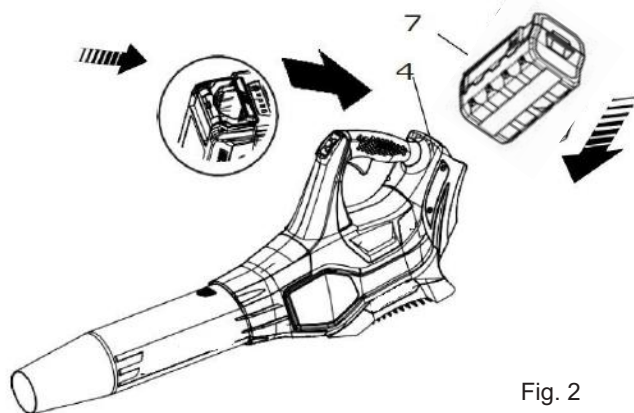


Fig. 2

**⚠ IMPORTANT:** When placing battery pack in the blower, be sure the raised ribs on the battery pack align with the grooves in the top of the blower. Make sure the battery is fully seated, and it latches into place properly. Improper installation of the battery pack can cause damage to internal components.

## OPERATING

### STARTING /STOPPING THE BLOWER (Fig. 3 & Fig. 4)

- To start the blower, Press the safety lock button and push the trigger.
- To stop the blower, release the trigger.

Battery tools are always in operating condition. Therefore, operation trigger switch should always be in the OFF (released) position when not in use or carrying/ moving the tool.

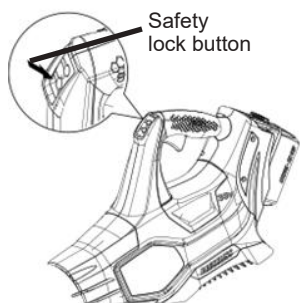


Fig. 3

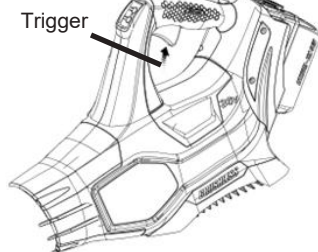


Fig. 4

### AIR SPEED CONTROLS (Fig. 5)

- Press the turbo button, to reach the maximum speed.
- Press this button again to come to the normal speed.

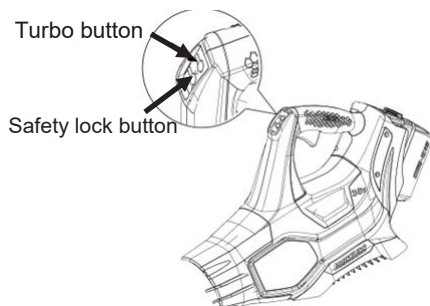


Fig. 5

### OPERATING THE BLOWER (Fig. 6)

To keep from scattering debris, blow around the outer edges of a debris pile. Never blow directly into the center of a pile.

Use rakes and brooms to loosen debris before blowing. In dusty conditions, slightly dampen surfaces when water is available.

Save water by using blowers instead of hoses for many lawn and garden applications, including areas such as gutters, patios, grills, porches.

Watch out for children, pets, open windows, or freshly washed cars, and blow debris safely away.

After using blowers or other equipment, CLEAN UP! Dispose of debris properly.

Do not at any time let brake fluids, gasoline, petroleum based products; penetrating oils, etc. come in contact with plastic parts. They contain chemicals that can damage, weaken or destroy plastic.

Do not attempt to modify this tool or create accessories not recommended for use with this tool. Any such alteration or modification is misuse and could result in a hazardous condition leading to possible serious personal injury.

To avoid serious personal injury, always remove the battery pack from the tool when cleaning or performing any maintenance.

Fig. 6



## CHARGING THE BATTERY PACK

Charge the battery pack only with the charger provided.

Allow at least 90 minutes of charge time for 2.5Ah battery, 140 minutes of charge time for 4Ah battery, or 180 minutes of charge time for 5Ah battery before initial use of the blower.

Make sure the power supply is normal household voltage, 120 volts, 60Hz, AC only.

The battery charger should be operated in temperatures between 39 and 104 degrees F.

The battery should be charged in a cool, dry place.

2 to 3 initial charging/discharging cycles may be required to achieve maximum run time/capacity.

DO NOT attempt to open the charger or the unit. There are no customer serviceable parts inside. Call customer service helpline at 1-800-618-7474 for assistance.

DO NOT incinerate battery packs even if they are severely damaged or completely worn out. They can explode in a fire causing injury.

DO NOT charge appliance in rain, or in wet locations.

Use the battery charger indoors only.

Disconnect charger from the power supply when not in use to prevent damage to the charger during a power surge.

When fully charged, the battery can be safely stored in temperatures down to -4 degrees F for a period of up to four weeks, before requiring charging. Fully charge battery pack every 90 days.

If over a period of time the battery pack quickly runs down after a full 90, 140 or 180 minutes charging period, a replacement battery pack is needed.

To prevent permanent damage to the battery, never store in a discharged condition.

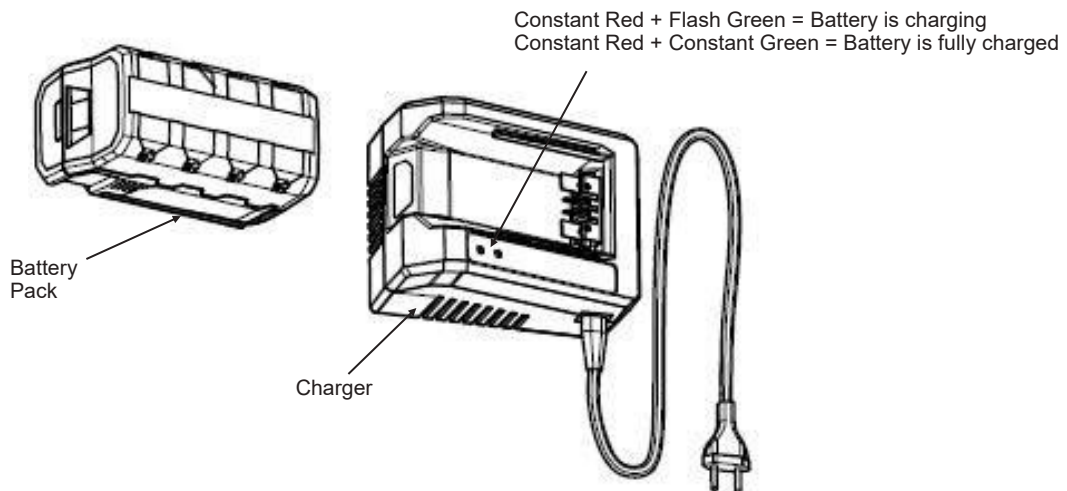
WINTER STORAGE - Fully recharge before storage and then again every 90 days.

Since the battery will not develop a memory, it does not have to be fully discharged before recharging.

A small leakage of liquid from the battery cells may occur under extreme usage, charging or temperature conditions. This does not indicate a failure. However, if the outer seal is broken and this leakage gets on your skin.

- Wash quickly with soap and water.
- Neutralize with a mild acid such as lemon juice or vinegar.
- If the battery liquid gets in your eyes, flush them with clean water for a minimum of 10 minutes and seek immediate medical attention.

## TO CHARGE - SEE CHARGER MANUAL FOR COMPLETE INSTRUCTIONS



### BATTERY DISPOSAL

Remove the battery pack from the tool, cover the terminals with heavy duty adhesive tape. Do not attempt to destroy or disassemble battery pack or remove any components. This product contains lithium-ion batteries which must be recycled or disposed of properly. Local, state or federal laws may prohibit disposal of these batteries in the municipal solid waste or rural trash pick up systems.



The RBRC seal on the Li-Ion battery pack indicates that the cost to recycle the battery pack at the end of its useful life has already been paid by The Great States Corporation/American Lawn Mower Company. It is illegal to place spent Li-Ion batteries in the local municipal solid waste or in the trash. RBRC in cooperation with The Great States Corporation/American Lawn Mower Company has provided an environmentally friendly and easy way to recycle spent Li-Ion batteries. Just contact your local recycling center or call 1.800.8.BATTERY for information on where to drop off the spent battery.

# MAINTENANCE

If you drop the blower, carefully inspect it for damage. If the tube is broken, housing cracked, or handles broken or if you see any other condition that may affect the blower's operation, call our customer service help line at 1-800-618-7474 for assistance.

To clean the tool, make sure the battery is detached from the unit, then use only mild soap and a damp cloth. Never let any liquid get inside the tool; never immerse any part of the tool into a liquid.

**⚠ IMPORTANT:** To assure product SAFETY and RELIABILITY, repairs, maintenance and adjustment should be performed by an authorized service center or other qualified service organization, always using identical replacement parts.

**⚠ CAUTION:** Do not at any time let brake fluids, gasoline, petroleum based products, penetrating oils, etc., come in contact with plastic parts. They contain chemicals that can damage, weaken or destroy plastic.

Fertilizers and other garden chemicals contain agents which greatly accelerate the corrosion of metals. Do not store the tool on or adjacent to fertilizers or chemicals.

## STORING THE BLOWER

Clean the blower thoroughly before storing. Store the blower in a dry, well-ventilated place that is inaccessible to children. Keep away from corrosive agents such as garden chemicals and de-icing salts.

- Store and charge your batteries in a cool area. Temperatures above or below normal room temperature will shorten battery pack life.
- Never store batteries in a discharged condition. Wait for battery pack to cool and fully charge immediately.
- All batteries gradually lose their charge. The higher the temperature, the quicker they lose their charge. If you store your unit for long periods of time without using it, recharge the batteries every month or two. This practice will prolong battery pack life.
- Recharge batteries every 3 months.

When not in use, your Cordless Blower should be stored indoors in a dry and high or locked-up place, out of reach of children.

## TROUBLESHOOTING

Problem	Possible Cause	Possible Solution
- Unit does not run	<ul style="list-style-type: none"> <li>- Battery not making contact</li> <li>- Battery not installed properly</li> <li>- Battery not charged</li> </ul>	<ul style="list-style-type: none"> <li>- Check battery is fully inserted</li> <li>- Check that battery is securely connected to the blower</li> <li>- Check battery charging requirements</li> </ul>
- Battery will not charge	<ul style="list-style-type: none"> <li>- Battery not inserted into charger</li> <li>- Charger not plugged in</li>   <li>- Surrounding air temperature too hot or too cold</li> </ul>	<ul style="list-style-type: none"> <li>- Insert battery into charger until LED appears</li> <li>- Plug charger into a working outlet</li> <li>- Check current at receptacle by plugging in a lamp or other appliance</li> <li>- Check to see if receptacle is connected to a light switch which turns power off when you turn out the lights</li> <li>- Move charger and tool to a surrounding air temperature of above 39 degree F (4 degree C) or below 104 degree F (+40 degree C)</li> </ul>

## PARTS AND SERVICE

For parts or service, please call 1-800-618-7474 or visit us online at [scotts.americanlawnmower.com](http://scotts.americanlawnmower.com). Be sure to provide all relevant information when you call or visit.

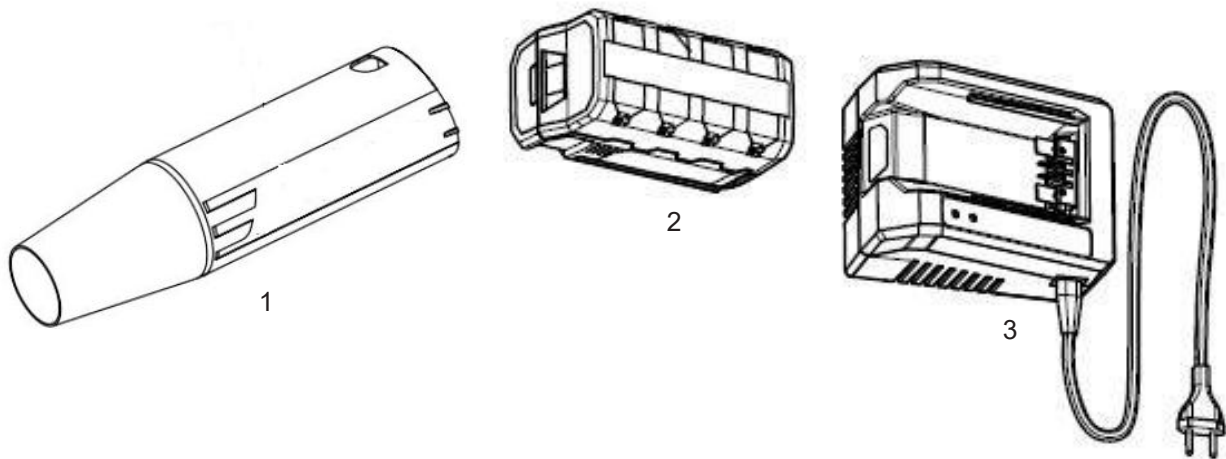
### REPAIR PARTS (KITS/ ITEMS)

The model/ serial number of this tool is found on a plate or label attached to the housing. Please record the serial number in the space provided below.

MODEL NUMBER           **LB20062S**          

SERIAL NUMBER \_\_\_\_\_

**Always mention the model number when ordering kits/items for this tool.**



No.	Kit/Item Number	Description	QTY
1	LB62-BTK-1	Blower tube kit	1
2	BL86225	Battery 62V 2.5Ah	1
3	CHL86200	Charger	1

---

## CALL US FIRST !!

Call us first with questions about operating or maintaining your product at 1.800.618.7474 between 8:00 a.m. – 5:00 p.m. Eastern Standard Time, or get assistance on [scotts.americanlawnmower.com](http://scotts.americanlawnmower.com).



# OWNER'S MANUAL

## CORDLESS 62 VOLT LITHIUM BLOWER

Copyright. All Rights Reserved.

**Model LB20062S**

### WARRANTY POLICY

#### Scotts Warranty policy

- **5 Year limited warranty** on all Scotts 62V lithium ion power tools from date of purchase when used for personal, household, or family use.
- **3 Year limited warranty** on all Scotts 62V lithium ion batteries and chargers from date of purchase when used for personal, household, or family use.

The Great States Corp. (GSC) warrants to the original owner that this Scotts product and service part is free from defects in materials and workmanship and agrees to repair or replace any defective product or part for the warranty period as stated above.

- Warranty voided if used for commercial or industrial purposes or any other improper use as determined by GSC.
- Warranty does not include repairs necessary due to operator's abuse or negligence (including overloading the product beyond capacity or immersion in water), or the failure to assemble, operate, maintain or store the product according to the instructions in the owner's manual.
- This warranty does not cover
  - ◇ Wear items, including but not limited to - drive belts & gears, tines, cutting blades, mower blades, saw chains, mulching blades, blower fans, spool covers, trimmer line, blower and vacuum tubes, guide bars, high pressure hoses, wheels, handles, augers, worn bags, power cables, and other items subject to wear over time.
  - ◇ Wear on batteries, including but not limited to – drops, wear and breakage on charger, exposure to extreme temperature swings (hot or cold), battery left on charger too long, battery left uncharged for too long, and misuse or abuse of the battery.
- This warranty does not cover damage caused by cold, heat, rain, excessive humidity or other environmental extremes.
- This warranty does not cover normal deterioration of the exterior finish or normal wear and tear on the products including, but not limited to scratches, cracks, dents, or damage caused by outside chemicals.
- This warranty is not transferable and only applies to new products sold directly from an authorized retailer. This warranty does not apply to any product, new or used, purchased through unauthorized third-party channels. For information on authorized dealers, contact our customer support hotline at 1-800-618-7474 (Mon-Fri 8am-5pm Est)
- Any incidental, indirect or consequential loss, damage, or expense that may result from any defect or malfunction of the products is not covered by the warranty.
- The warranty does not include installation, assembly or normal adjustments explained in the operator's manual. The expense of delivering the product to the vendor and the expense of returning the product or replacement parts to the owner is not covered by the warranty.

#### Additional Warranty Limitations

Some states do not allow the exclusion or limitation on how long an implied warranty lasts, so the above limitation may not apply to you. Products sold damaged or incomplete, sold —as is, or sold as reconditioned are not covered under the warranty. Damage or liability caused by shipping, improper handling, improper assembly, incorrect voltage, improper wiring, improper maintenance, improper modification or the use of accessories and/or attachments not specifically recommended is not covered by this warranty.

**Proof of purchase, original dated sales receipt, must accompany all warranty claims.**

**For claims go to [scotts.americanlawnmower.com](http://scotts.americanlawnmower.com) or call our customer support hotline from 8am-5pm EST, Mon-Fri at 1-800-618-7474**



American Lawn Mower Company  
The Great States Corporation  
7444 Shadeland Station Way  
Indianapolis, IN 46256 USA  
Phone 1-800-618-7474  
[scotts.americanlawnmower.com](http://scotts.americanlawnmower.com)





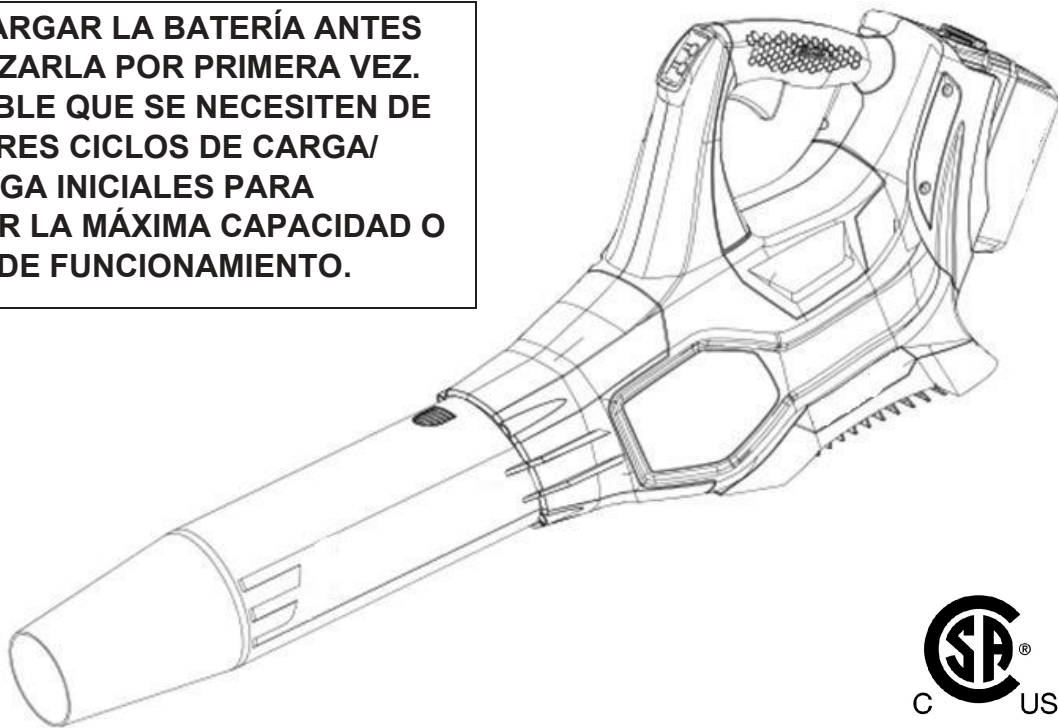
# MANUAL DEL OPERARIO

## SOPLADORA A BATERÍA DE LITIO DE 62 VOLTIOS

Copyright. Todos los derechos reservados.

Modelo LB20062S

**DEBE CARGAR LA BATERÍA ANTES DE UTILIZARLA POR PRIMERA VEZ. ES POSIBLE QUE SE NECESITEN DE DOS A TRES CICLOS DE CARGA/ DESCARGA INICIALES PARA OBTENER LA MÁXIMA CAPACIDAD O TIEMPO DE FUNCIONAMIENTO.**




244026



Cargador apto para CA, Modelo N.º CHL86200.

Este producto ha sido diseñado y fabricado de acuerdo con nuestros altos estándares de confiabilidad, facilidad de operación y seguridad para el operario. Si se trata con cuidado, esta herramienta le otorgará años de óptimo rendimiento y resistencia.

 **ADVERTENCIA:** Para reducir el riesgo de sufrir alguna lesión, el usuario debe leer y comprender el manual del operario antes de usar este producto.

Muchas gracias por su compra.

**NO DEVUELVA ESTE PRODUCTO A LA TIENDA. ¿TIENE PREGUNTAS SOBRE FUNCIONAMIENTO, MONTAJE, PIEZAS O SERVICIO TÉCNICO? IR A [SCOTTS.AMERICANLAWNMOWER.COM](http://SCOTTS.AMERICANLAWNMOWER.COM) O LLAME AL 1-800-618-7474 ENTRE LAS 8:00 AM Y LAS 5:00 PM, HORA DEL ESTE DE LOS ESTADOS UNIDOS.**

**GUARDE ESTE MANUAL PARA CONSULTAS FUTURAS**



## ADVERTENCIAS DE SEGURIDAD IMPORTANTES



### PARA REDUCIR EL RIESGO DE LESIONES:

Antes de poner en uso la herramienta, asegúrese de que todos los usuarios lean y comprendan las instrucciones de seguridad y la demás información incluida en este manual.

- ⚠ PRECAUCIÓN:** Use protección auditiva apropiada mientras trabaja. En ciertas condiciones y con cierta duración de uso, el ruido generado por este producto puede contribuir a la pérdida de la audición.

Guarde estas instrucciones y revíselas con frecuencia antes de usar la herramienta y para impartirlas a otros.

- ⚠ ADVERTENCIA:** Al utilizar aparatos eléctricos para el jardín, se recomienda respetar las precauciones de seguridad básicas que se detallan a continuación, a fin de reducir riesgos de incendios, descargas eléctricas y lesiones personales.

### LEA TODAS LAS INSTRUCCIONES

## SÉCURITÉ GÉNÉRALE

**USE ROPA ADECUADA.** No use prendas sueltas ni artículos de joyería. Use protección para cubrir y contener el cabello largo, ya que puede quedar atrapado en las piezas móviles. Se recomienda usar guantes de goma y calzado resistente cuando se trabaja al aire libre. No use este producto mientras esté descalzo o si está usando un calzado abierto.

**USE GAFAS DE SEGURIDAD.** Al trabajar con este producto, use gafas de seguridad con protectores laterales que cumplan la norma ANSI Z87.1. Protéjase la cara con una mascarilla antipolvo si la operación genera polvo.

**USE LA HERRAMIENTA EN FORMA CORRECTA.** No utilice esta herramienta en trabajos para los que no esté indicada.

**EXTRAIGA LA BATERÍA DE LA HERRAMIENTA** cuando no esté en uso o durante el servicio de mantenimiento o la limpieza. Manténgala bajo vigilancia constante.

**VERIFIQUE LAS PIEZAS DAÑADAS.** Antes de seguir usando la sopladora, se deberán revisar las piezas dañadas en forma exhaustiva para determinar si la herramienta funcionará correctamente y realizará el trabajo previsto. Compruebe la alineación y las uniones de las piezas móviles, el montaje, averías de componentes y otros factores que puedan afectar el funcionamiento. Cualquier pieza dañada deben repararse en forma adecuada o reemplazarse. Comuníquese con nuestra línea de ayuda de atención al 1-800-618-7474 para recibir asistencia.

**ILUMINACIÓN.** Trabaje sólo con luz natural o buena luz artificial.

**NO ADOPTÉ UNA POSTURA INCÓMODA.** Mantenga una base de apoyo firme y buen equilibrio en todo momento.

- ⚠ ADVERTENCIA:** No coloque ningún tipo de accesorio o dispositivo de sujeción a la sopladora. Dicha práctica podría resultar peligrosa.

**EVITE AMBIENTES PELIGROSOS.** No utilice esta herramienta en la lluvia ni en lugares húmedos o mojados. Tampoco trabaje en entornos donde existan gases o sustancias explosivas. Por lo general, los motores de estas herramientas producen chispas que podrían inflamar los gases.

**EVITE EL ENCENDIDO ACCIDENTAL.** No transporte la cortasetos con el dedo en el interruptor. Asegúrese de que el interruptor esté en la posición de apagado antes de instalar la batería.

**NO INTENTE** mover piedras ni materiales punzantes mientras trabaja con la sopladora. No utilice la sopladora para ningún otro fin que no sea el indicado.

**PROTÉJASE LOS OÍDOS** Durante períodos prolongados de utilización del producto, póngase protección para los oídos. Con el cumplimiento de esta regla se reduce el riesgo de lesiones corporales serias.

- ⚠ ADVERTENCIA:** No coloque ningún objeto en las aberturas. No la utilice con ninguna abertura bloqueada; manténgalas libres de polvo, pelusa, pelo y cualquier cosa que pueda reducir el flujo de aire.
- ⚠ ADVERTENCIA:** Sólo utilice accesorios recomendados por el fabricante para cada modelo en particular se describe en este manual. Accesorios que pueden ser adecuados para una sopladora pueden significar un riesgo de lesiones si se emplean con otra sopladora. Sólo utilice el producto de la forma descrita en este manual.

- ⚠ ADVERTENCIA:** Apague todos los controles antes de extraer la pila.

- ⚠ ADVERTENCIA:** Tenga especial cuidado al limpiar escaleras o escalones.

- ⚠ PRECAUCIÓN:** Mantenga a los niños y a las mascotas pequeñas a una distancia segura mientras trabaja con la sopladora. Los desechos que vuelan pueden provocar lesiones personales.

**NO FUERCE LA SOPLADORA** - Realizará mejor el trabajo con menor probabilidad de lesiones si maneja la cortasetos a la velocidad para la que fue diseñada.

**PONGA ATENCIÓN.** Observe lo que está haciendo. Use el sentido común. No opere la sopladora si está cansado o bajo la influencia de medicamentos, drogas o alcohol.

**TENGA CUIDADO AL REALIZAR EL MANTENIMIENTO A LA HERRAMIENTA.** El tubo y mangos deben estar limpios para lograr un óptimo funcionamiento y reducir el riesgo de lesiones. Mantenga los mangos secos y libres de grasa y aceite.

- ⚠ ADVERTENCIA: Proposición 65 de California:** Este producto contiene sustancias químicas al estado de California como causantes de cáncer, defectos de nacimiento u otros problemas reproductivos.

- ⚠ ADVERTENCIA:** Parte del polvo y los desechos generados por el uso de esta herramienta contienen químicos reconocidos por el Estado de California como causantes de cáncer, defectos de nacimiento u otros efectos nocivos para el aparato reproductor. Algunos ejemplos de estos productos químicos son:

- químicos presentes en fertilizantes;
- compuestos presentes en insecticidas, herbicidas y pesticidas; y
- arsénico y cromo de maderas tratadas químicamente.

El riesgo que usted corre al exponerse a estos químicos varía según la frecuencia con la que realiza este tipo de trabajo. Para reducir la exposición, trabaje en una zona bien ventilada y utilice equipo de protección aprobado, como mascarillas antipolvo especialmente diseñadas para filtrar partículas microscópicas.

- ⚠ ADVERTENCIA:** Cáncer y Daño Reproductivo - [www.P65Warnings.ca.gov](http://www.P65Warnings.ca.gov).

- ⚠ PRECAUCIÓN:** Antes de efectuar ajustes, de cambiar accesorios o de guardar la sopladora, desconecte la batería de la sopladora. Tales medidas preventivas de seguridad reducen el riesgo de poner en marcha accidentalmente la sopladora.

- ⚠ PRECAUCIÓN:** Cuando no esté usando la batería, manténgala alejada de objetos metálicos tales como: clips, monedas, llaves, clavos, tornillos y otros objetos metálicos pequeños que puedan establecer una conexión entre ambos terminales. Al establecer una conexión directa entre los dos terminales se puede causar chispas, quemaduras o incendios.

- ⚠ PRECAUCIÓN:** Utilice únicamente el siguiente tipo y tamaño de batería/ baterías: BL86225, BL86240, BL86250.

No permita ser utilizado como juguete. Es necesario prestar mucha atención cuando es usado por o cerca de niños.

Si el aparato no funciona como debería, se ha caído, dañado, se ha dejado al aire libre o se ha caído al agua, devuélvalo a un centro de servicio.

Mantenga el cabello, la ropa suelta, los dedos y todas las partes del cuerpo alejadas de las aberturas y las partes móviles.

No utilice un paquete de baterías o un aparato que esté dañado o modificado. Las baterías dañadas o modificadas pueden exhibir un comportamiento impredecible que puede resultar en un incendio, explosión o riesgo de lesiones.

No exponga un paquete de baterías o un aparato a fuego o temperatura excesiva. La exposición al fuego o a una temperatura superior a 130 ° C puede causar una explosión. La temperatura de 130 ° C se puede reemplazar por la temperatura de 265 ° F.

Siga todas las instrucciones de carga y no cargue la batería o el aparato fuera del rango de temperatura especificado en las instrucciones. La carga incorrecta o a temperaturas fuera del rango especificado puede dañar la batería y aumentar el riesgo de incendio.

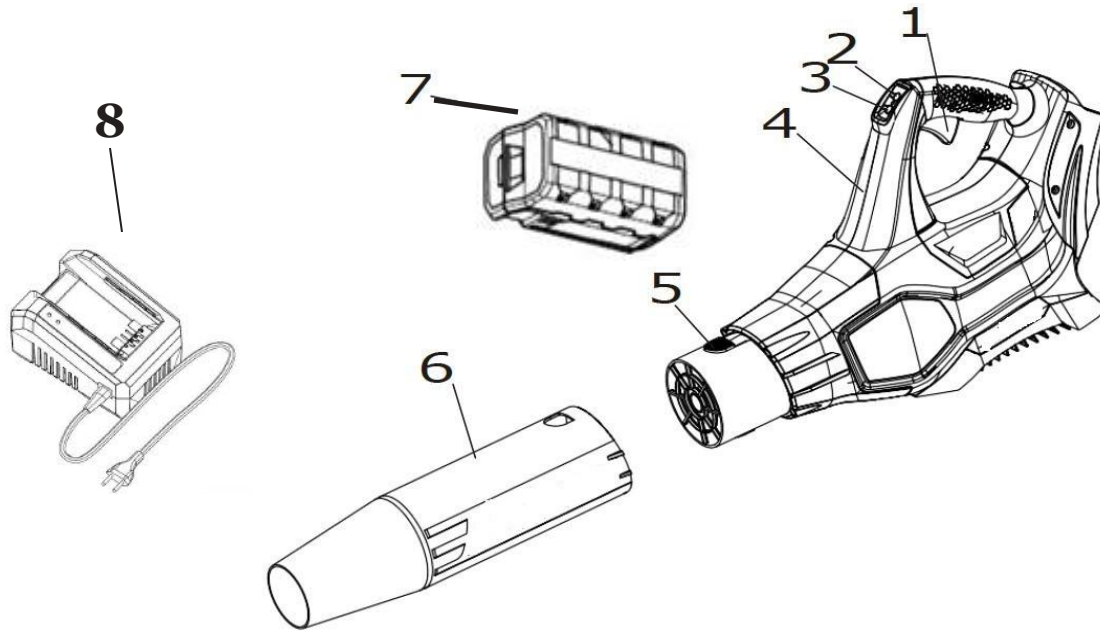
**PARA USO DOMÉSTICO.**

# CARACTERÍSTICAS

## ESPECIFICACIONES DEL PRODUCTO

### LB20062S

Entrada .....	62 V, CC Solamente
Batería .....	62 V, 2.5Ah
Velocidad .....	100-140 MPH/ 355-500 CFM
Longitud del tubo.....	40 cm (15.70 pulg)
Peso .....	4.36 kgs (9.6 libras)



N.º	Descripción	N.º	Descripción
1	Interruptor de Gatillo	5	Pestillo del tubo
2	Botón Turbo	6	Tubo del soplador
3	Botón de bloqueo de seguridad	7	Batería
4	Alojamiento	8	Cargador

## MONTAJE

### LISTA DE EMBALAJE

- Sopladora
- Tubo del soplado
- Batería y cargador
- Manual del operario

Este producto requiere algunas operaciones de montaje.

Extraiga la herramienta y los accesorios de la caja con cuidado. Asegúrese de que estén incluidos todos los elementos detallados en la lista de embalaje.

Inspeccione el producto detenidamente para corroborar que no existan roturas ni averías ocurridas durante el envío.

No deseche el material de embalaje hasta haber inspeccionado exhaustivamente el producto y comprobar que funciona en forma satisfactoria.

Si falta alguna pieza o está dañada, llame al 1-800-618-7474 para obtener asistencia.

Para evitar un arranque accidental que podría causar lesiones personales graves, siempre retire la batería del soplador cuando ensamble las piezas.

### CONJUNTO DE TUBOS (Fig. 1)

Deslice el tubo del soplador sobre la salida de la caja del soplador hasta que el seguro del tubo encaje en su lugar a través de la abertura en el tubo del soplador.

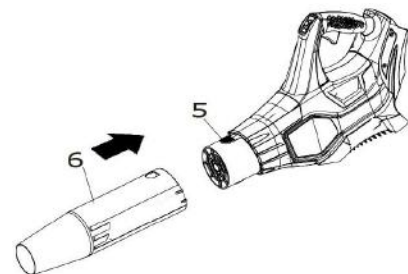


Fig. 1

## MONTAJE

### INSTALACIÓN DEL PAQUETE DE BATERÍAS (Fig. 2)

- Coloque la batería en el puerto de la batería del soplador. Alinee la costilla levantada de la batería con la ranura en el puerto de la batería del soplador.
- Asegúrese de que el pestillo de la parte inferior de la batería se encaje en su lugar y que la batería esté asegurada en el soplador antes de comenzar la operación.

### ELIMINACIÓN DEL PAQUETE DE BATERÍAS (Fig. 2)

- Suelte el gatillo para detener el soplador.
- Mantenga presionado el botón de cierre en la parte inferior de la batería.
- Retire la batería del soplador.

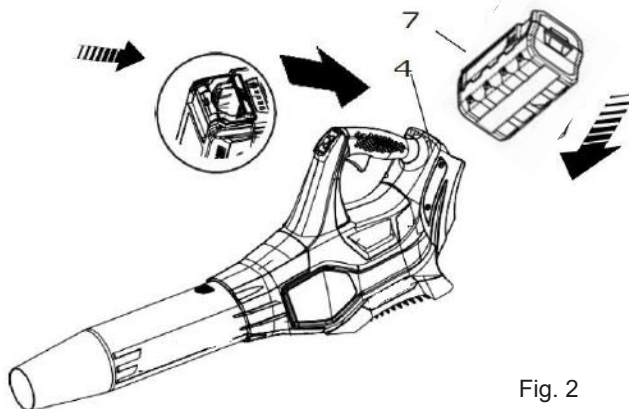


Fig. 2

**⚠ IMPORTANTE:** Cuando coloque la batería en el soplador, asegúrese de que las costillas levantadas en la batería estén alineadas con las ranuras en la parte superior del soplador. Asegúrese de que la batería esté completamente asentada y de que encaje en su lugar correctamente. La instalación incorrecta de la batería puede dañar los componentes internos.

## FUNCIONAMIENTO

### ARRANQUE / PARADA DEL SOPLADOR (Fig. 3 & 4)

- Para encender el soplador, presione el botón de bloqueo y presione el gatillo
- Para detener el soplador, suelte el gatillo.

Las herramientas de la batería están siempre en condiciones de funcionamiento. Por lo tanto, el interruptor de activación de la operación siempre debe estar en la posición APAGADO (liberado) cuando no esté en uso o cuando esté transportando / moviendo la herramienta.

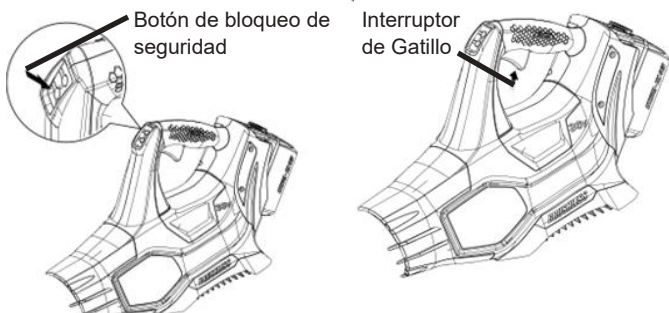


Fig. 3

Fig. 4

### CONTROLES DE VELOCIDAD DEL AIRE (Fig. 5)

- Presiona el botón turbo, para alcanzar la velocidad máxima.
- Presiona este botón nuevamente para llegar a la velocidad normal.

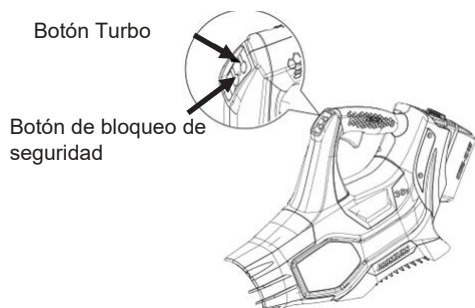


Fig. 5

### OPERANDO EL SOPLADOR (Fig 6)

Fig. 6

Para evitar la dispersión de desechos, sople alrededor de los bordes exteriores de una pila de escombros. Nunca sople directamente en el centro de una pila.

Use rastrillos y escobas para aflojar los residuos antes de soplarlos. En condiciones de polvo, humedad o superficies húmedas cuando haya agua disponible.

Ahorre agua utilizando sopladores en lugar de mangueras para muchas aplicaciones de césped y jardín, incluidas áreas como canalones, patios, parrillas, porches.

Tenga cuidado con los niños, mascotas, ventanas abiertas o autos recién lavados, y sople los escombros de forma segura.

Después de usar sopladores u otros equipos, ¡LIMPIAR! Deseche los residuos adecuadamente.

No permita en ningún momento líquidos de frenos, gasolina, productos a base de petróleo; Los aceites penetrantes, etc. entran en contacto con piezas de plástico. Contienen sustancias químicas que pueden dañar, debilitar o destruir el plástico.

No intente modificar esta herramienta ni cree accesorios no recomendados para usar con esta herramienta. Cualquier alteración o modificación de este tipo es un uso incorrecto y podría provocar una condición peligrosa que podría provocar lesiones personales graves.

Para evitar lesiones personales graves, siempre retire la batería de la herramienta al limpiar o realizar cualquier tipo de mantenimiento.



## CARGA DEL PAQUETE DE BATERÍAS

Cargue el paquete de baterías únicamente con el cargador provisto.

Permita por lo menos 90 minutos de tiempo de carga para una batería de 2,5 Ah, 140 minutos de tiempo de carga para una batería de 4,0 Ah o 180 minutos de tiempo de carga para una batería de 5 Ah antes del uso inicial del cortasetos.

El cargador de baterías debe funcionar en temperaturas que oscilen entre los 4y 40 °C (39 y 104 °F).

La batería debe cargarse en un lugar fresco y seco.

Es posible que se necesiten de dos a tres ciclos de carga/descarga iniciales para obtener la máxima capacidad o tiempo de funcionamiento.

No intente abrir el cargador ni la unidad, ya que en su interior no existen piezas que el usuario pueda reparar. Comuníquese con nuestra línea de ayuda de atención al 1-800-618-7474 para recibir asistencia.

NO incinere los paquetes de baterías, aunque estén muy dañados o totalmente agotados, porque pueden estallar y provocar lesiones.

Utilice el cargador de baterías sólo bajo techo.

Desconecte el cargador del suministro eléctrico cuando no esté en uso para evitar daños en caso de que se produzca un pico de tensión.

Cuando la batería está cargada por completo, se puede almacenar de forma segura en temperaturas de hasta -20 °C (-4 °F) durante un período de cuatro semanas antes de que requiera una nueva carga. Cargue el paquete de baterías completamente cada 90 días.

Si transcurrido un tiempo determinado, el paquete de baterías se agota rápidamente después de un período de carga de 90, 140 o 180 minutos, es necesario un cambio de batería.

Para prevenir un daño permanente a la batería, nunca la almacene descargada.

**ALMACENAMIENTO EN INVIERNO.** Recargue la batería completamente antes de guardarla y repita la operación cada 90 días.

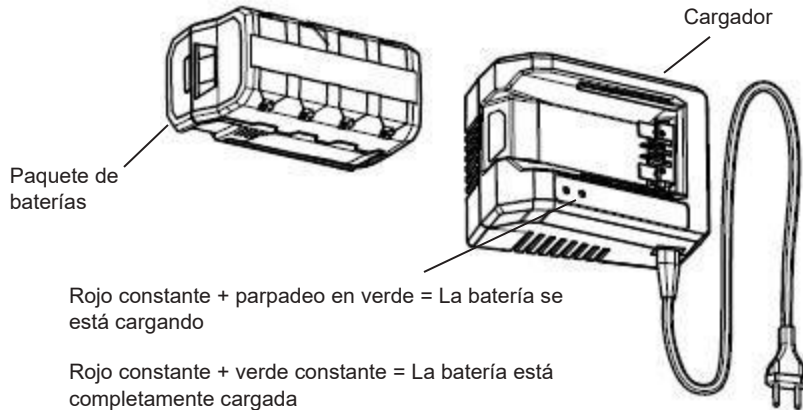
Debido a que la batería no tiene ningún efecto memoria, no es necesario que esté totalmente descargada para volver a cargarla.

Es posible que ocurra una pequeña pérdida de líquido de las pilas en condiciones de uso, carga o temperaturas extremas. Esto no indica una falla. No obstante, si el sello externo está roto y el líquido entra en contacto con la piel:

- Lávese con agua y jabón de inmediato.
- Neutralice el efecto con un ácido débil como jugo de limón o vinagre.
- Si el líquido de la batería penetra en los ojos, enjuáguese con agua limpia durante un mínimo de 10 minutos y obtenga asistencia médica inmediata.

## PROCEDIMIENTO DE CARGA

### CARGADOR Y PAQUETE DE BATERÍAS



### ELIMINACIÓN DE LA BATERÍA

Extraiga el paquete de baterías de la herramienta. Cubra los terminales con una cinta adhesiva resistente. No trate de destruir ni desarmar el paquete de baterías ni de extraer ninguno de sus componentes. Este producto contiene baterías de litio-ion, que se deben reciclar o desechar adecuadamente. Es posible que las leyes locales, estatales o federales prohíban eliminar estas baterías con los desechos comunes.



El sello RBRC que aparece en el paquete de baterías de litio-ion indica que los costos para reciclarlo al término de su vida útil ya han sido pagados por The Great States Corporation/American Lawn Mower Company. Es ilegal arrojar las baterías de litio-ion gastadas en un depósito municipal de residuos sólidos o en la basura. RBRC, en colaboración con The Great States Corporation/American Lawn Mower Company, ofrece una forma fácil y ecológica de reciclar las baterías de litio-ion gastadas. Simplemente comuníquese con un centro de reciclaje local o llame al 1.800.8.BATTERY para obtener información sobre dónde dejar las baterías gastadas.

## MANTENIMIENTO

Si se cae la sopladora, inspecciónela cuidadosamente para comprobar si sufrió algún daño. Si la tubo está dañado, la caja tiene grietas, o los mangos están rotos, o si detecta alguna otra condición que pudiera afectar el funcionamiento de la sopladora, comuníquese con nuestra línea de ayuda de atención al 1-800-618-7474 para recibir asistencia.

Extraiga el paquete de baterías de la sopladora y luego utilice únicamente un jabón suave y un paño húmedo para limpiar la herramienta. No permita que entre líquido en el interior de la herramienta ni sumerja ninguna pieza en líquido.

**⚠ IMPORTANTE:** A fin de garantizar la **SEGURIDAD** y la **CONFIABILIDAD**, las reparaciones, el mantenimiento y los ajustes deben llevarse a cabo siempre utilizando repuestos idénticos.

**⚠ PRECAUCIÓN:** Evite en todo momento que líquidos de frenos, gasolina, productos a base de petróleo, aceites penetrantes, etc., entren en contacto con piezas plásticas. Contienen químicos que pueden dañar, debilitar o destruir el plástico.

Los fertilizantes y otros productos químicos para el jardín contienen agentes que aceleran la corrosión de los metales en forma considerable. No guarde la herramienta junto a fertilizantes ni productos químicos.

## ALMACENAMIENTO DE LA SOPLADORA

Limpie cuidadosamente la sopladora antes de su almacenamiento. Almacénela en un lugar seco, bien ventilado y fuera del alcance de los niños. Manténgala alejada de los agentes corrosivos como químicos de jardinería y sales para deshielo.

■ Almacene y cargue las baterías en un área fresca. Las temperaturas por encima o por debajo de la temperatura ambiente normal acortarán la vida útil del paquete de baterías.

■ Nunca almacene las baterías si están descargadas. Espere a que el paquete de baterías se enfríe y cargue las baterías por completo inmediatamente.

■ Gradualmente, todas las baterías se descargan. Cuanto más alta es la temperatura, más rápido perderán su carga. Si almacena la unidad y no la usa durante un período prolongado, recargue las baterías cada uno o dos meses. De esta manera, prolongará la vida útil del paquete de baterías.

■ Recargue las baterías cada 3 meses.

Cuando no esté en uso, la deberá guardar en un lugar cerrado, seco y elevado o fuera del alcance de los niños.

## SOLUCIÓN DE PROBLEMAS

Problema	Posible causa	Solution possible
- La unidad no funciona.	<ul style="list-style-type: none"><li>- La batería no hace contacto</li><li>- El botón de bloqueo no está accionado completamente.</li><li>- La batería no está instalada correctamente.</li><li>- La batería no está cargada.</li></ul>	<ul style="list-style-type: none"><li>- Verifique que la batería esté bien colocada.</li><li>- Asegúrese de oprimir bien el botón de bloqueo antes de accionar el gatillo.</li><li>- Verifique la instalación de la batería.</li><li>- Verifique los requisitos de carga de la batería.</li></ul>
- La batería no se carga.	<ul style="list-style-type: none"><li>- La batería no está bien colocada en el cargador.</li><li>- El cargador no está enchufado.</li><li>- La temperatura del aire en el ambiente es muy baja o muy elevada.</li></ul>	<ul style="list-style-type: none"><li>- Coloque nuevamente la batería en el cargador hasta que aparezca una luz roja en el indicador LED.</li><li>- Enchufe el cargador en un tomacorriente que funcione.</li><li>- Compruebe la corriente en el receptáculo; para ello, enchufe una lámpara u otro artefacto.</li><li>- Cerciórese de que el receptáculo no este conectado a un interruptor de luz que corta el suministro eléctrico cuando usted apaga las luces.</li><li>- Traslade el cargador y la herramienta a un lugar con una temperatura ambiente superior a los 4 °C (39 °F) e inferior a 40 °C (104 °F).</li></ul>

## PIEZAS Y SERVICIO

Para solicitar repuestos o servicio técnico, llame al 1-800-618-7474 o visite nuestra página web [scotts.americanlawnmower.com](http://scotts.americanlawnmower.com). Asegúrese de proporcionar toda la información relevante cuando nos llame o visite.

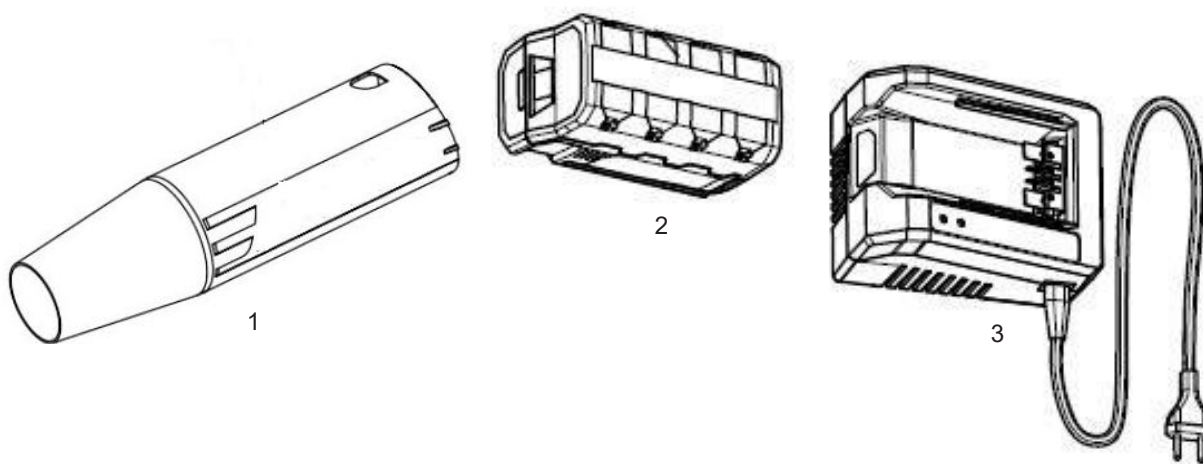
### REPUESTOS (KITS / ARTÍCULOS)

El número de modelo/ de serie de esta herramienta se encuentra en una placa o etiqueta adjunta a la caja. Registre el número de serie en el espacio provisto a continuación.

**MODELO N.º** \_\_\_\_\_ **LB20062S** \_\_\_\_\_

**NÚMERO DE SERIE** \_\_\_\_\_

**Mencione siempre el serial del modelo cuando ordene kits para el mismo.**



N.º	Número de kit/ Número de artículo	Descripción	Cantidad
1	LB62-BTK-1	Kit de tubo soplador	1
2	BL86225	Batería 62V 2.5Ah	1
3	CHL86200	Cargador	1

### ¡LLÁMENOS PRIMERO!

Si tiene preguntas sobre el funcionamiento o el mantenimiento de su producto al 1-800-618-7474, de 8:00 a 17:00, hora estándar del este, o obtener asistencia en [scotts.americanlawnmower.com](http://scotts.americanlawnmower.com).



# MANUAL DEL OPERARIO

## SOPLADORA A BATERÍA DE LITIO DE 62 VOLTIOS

Copyright. Todos los derechos reservados.

### Modelo LB20062S

## GARANTÍA

### Política de garantía de Scotts

- **Garantía limitada de 5 años** para todas las herramientas eléctricas de iones de litio de 62 V Scotts a partir de la fecha de compra cuando se utilizan para uso personal, doméstico o familiar.
- **Garantía limitada de 3 años** para todas las baterías y cargadores de iones de litio de 62 V Scotts a partir de la fecha de compra cuando se utilizan para uso personal, doméstico o familiar.

The Great States Corp. (GSC) garantiza al propietario original que este producto y pieza de servicio Scotts están libres de defectos de materiales y mano de obra y acepta reparar o reemplazar cualquier producto o pieza defectuosa durante el período de garantía indicado anteriormente.

- La garantía queda anulada si se utiliza con fines comerciales o industriales o cualquier otro uso inadecuado según lo determine GSC.
- La garantía no incluye las reparaciones necesarias debido al abuso o negligencia del operador (incluyendo la sobrecarga del producto más allá de su capacidad o la inmersión en agua), o la falta de montaje, operación, mantenimiento o almacenamiento del producto de acuerdo con las instrucciones del manual del propietario.
- Esta garantía no cubre
  - ◇ Elementos de desgaste, incluyendo pero no limitado a: correas y engranajes de transmisión, púas, cuchillas de cortadoras, hojas de segadora, cadenas de motosierra, hojas de trituración, ventiladores, cubiertas de carretes, hilo de desbrozadora, tubos de soplador y de vacío, barras guía, mangueras de alta presión, ruedas, manijas, barrenas, bolsas desgastadas, cables de alimentación y otros elementos que se someten a desgaste a lo largo del tiempo.
  - ◇ Desgaste de las baterías, incluyendo pero no limitado a: caídas, desgaste y rotura del cargador, exposición a oscilaciones extremas de temperatura (caliente o fría), batería dejada en el cargador demasiado tiempo, batería dejada sin cargar por demasiado tiempo, y mal uso o abuso de la batería.
- Esta garantía no cubre los daños causados por el frío, el calor, la lluvia, el exceso de humedad u otras condiciones ambientales extremas.
- Esta garantía no cubre el deterioro normal del acabado exterior ni el desgaste normal de los productos, incluidos, entre otros, los arañazos, grietas, abolladuras o daños causados por productos químicos externos.
- Esta garantía no es transferible y sólo se aplica a productos nuevos vendidos directamente por un distribuidor autorizado. Esta garantía no se aplica a ningún producto, nuevo o usado, comprado a través de canales de terceros no autorizados. Para obtener información sobre distribuidores autorizados, comuníquese con nuestra línea de ayuda de asistencia al cliente llamando al 1-800-618-7474 (de lunes a viernes, de 8 a. m. a 5 p. m., hora del este).
- Cualquier pérdida, daño o gasto incidental, indirecto o consecuente que pueda derivarse de cualquier defecto o mal funcionamiento de los productos no está cubierto por la garantía.
- La garantía no incluye la instalación, el montaje o los ajustes normales que se explican en el manual del operador. Los gastos de entrega del producto al vendedor y los gastos de devolución del producto o de las piezas de recambio al propietario no están cubiertos por la garantía.

#### Limitaciones adicionales de la garantía

Algunos estados no permiten la exclusión o limitación respecto de la duración de una garantía implícita; por lo tanto, es posible que las limitaciones enunciadas anteriormente no le correspondan. Los productos vendidos con averías o incompletos, vendidos en las condiciones que se encuentren, o vendidos como reacondicionados no están cubiertos por la garantía.

Daños ni inconvenientes causados por envío, manipulación inadecuada, instalación incorrecta, voltaje incorrecto, cableado incorrecto, mantenimiento deficiente, modificaciones inadecuadas o el uso de accesorios o dispositivos de sujeción no recomendados específicamente no están cubiertos por la garantía.

**Todos los reclamos de garantía deben estar acompañados de un comprobante de compra, recibo de compra original con fecha. Para reclamos vaya a [scotts.americanlawnmower.com](http://scotts.americanlawnmower.com) o llame a nuestra línea de ayuda de asistencia al cliente al 1-800-618-7474 de lunes a viernes, de 8 a. m. a 5 p. m., hora del este.**



American Lawn Mower Company  
The Great States Corporation  
7444 Shadeland Station Way  
Indianapolis, IN 46256  
Estados Unidos  
Teléfono 1-800-618-7474  
[scotts.americanlawnmower.com](http://scotts.americanlawnmower.com)



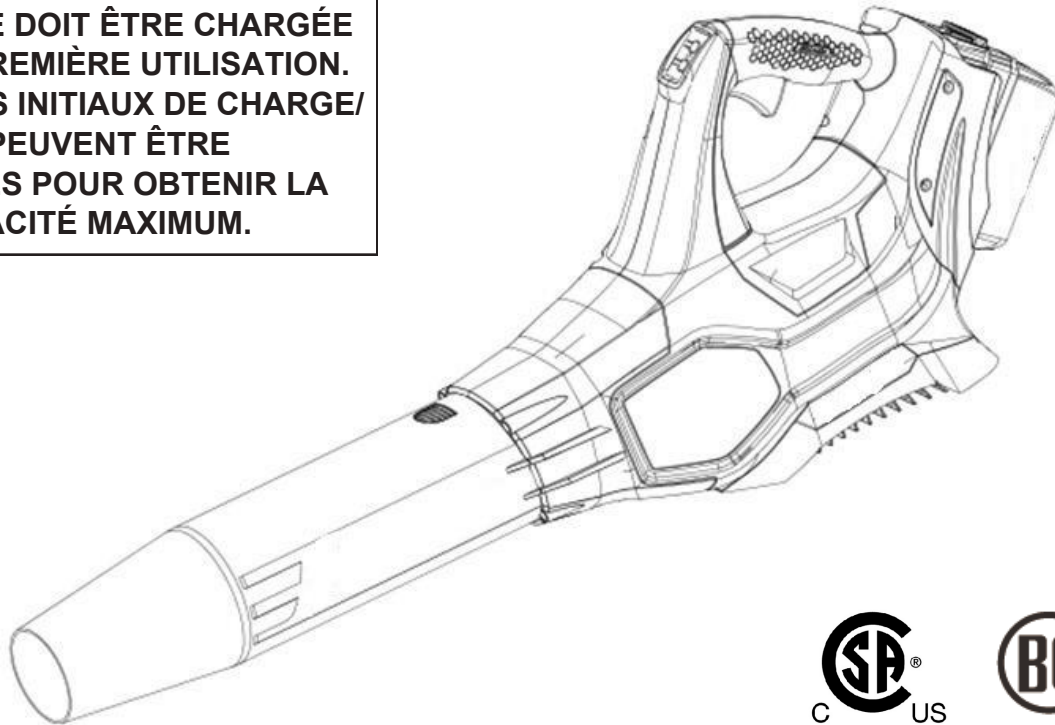


# MANUEL DE L'UTILISATEUR SOUFFLEUSE AUTONOME AU LITHIUM DE 62 V

Copyright. Tous droits réservés.

Modèle LB20062S

**LA BATTERIE DOIT ÊTRE CHARGÉE AVANT LA PREMIÈRE UTILISATION. 2 À 3 CYCLES INITIAUX DE CHARGE/ DÉCHARGE PEUVENT ÊTRE NÉCESSAIRES POUR OBTENIR LA DURÉE/CAPACITÉ MAXIMUM.**



244026



Chargeur conforme  
CA inclus, modèle no  
CHL86200

Votre souffleur sans fil été conçu et fabriqué selon notre norme élevée de fiabilité, de facilité d'utilisation et de sécurité de l'utilisateur. Correctement entretenue, il vous procurera des années de service intensif et sans soucis.



**AVERTISSEMENT** : afin d'éviter de se blesser, l'utilisateur doit lire et comprendre le manuel de l'utilisateur avant d'utiliser ce produit.

Merci pour votre achat.

**NE RENVOYEZ PAS CE PRODUIT AU MAGASIN. AVEZ-VOUS DES QUESTIONS CONCERNANT LE FONCTIONNEMENT, L'ASSEMBLAGE, LES PIÈCES OU LA RÉPARATION DU PRODUIT? ALLER À [SCOTTS.AMERICANLAWNMOWER.COM](http://SCOTTS.AMERICANLAWNMOWER.COM) OU COMPOSEZ LE 1-800-618-7474 DE 8 h 00 à 17 h 00, HEURE DE L'EST, POUR TOUTE ASSISTANCE.**

---

CONSERVEZ CE MANUEL POUR POUVOIR LE CONSULTER ULTÉRIEUREMENT

---

## ⚠ AVERTISSEMENTS IMPORTANTS DE SÉCURITÉ ⚠

**POUR RÉDUIRE LE RISQUE DE BLESSURE** : avant toute utilisation, assurez-vous que toute personne utilisant cet outil a lu et compris toutes les consignes de sécurité et les autres informations contenues dans ce manuel.

⚠ **ATTENTION** : portez des protections appropriées des oreilles pendant l'utilisation. Dans certaines conditions et durées d'utilisation, le bruit émis par ce produit peut contribuer à une perte auditive.

Conservez ces instructions et relisez-les souvent avant d'utiliser le produit et d'instruire d'autres personnes quant à son utilisation.

⚠ **AVERTISSEMENT** : lors de l'utilisation d'outils électriques de jardinage, les consignes de sécurité de base doivent toujours être suivies afin d'éviter les incendies, décharges électriques et blessures, notamment :

### LIRE TOUTES LES INSTRUCTIONS

## SÉCURITÉ GÉNÉRALE

**GARDER HORS DE PORTÉE DES ENFANTS** – Tous les visiteurs, enfants et animaux domestiques doivent rester au-delà d'un périmètre de sécurité de la zone de travail. N'utilisez pas si vous êtes pieds nus ou si vous portez des chaussures ouvertes.

**S'HABILLER DE FAÇON APPROPRIÉE** – Ne portez pas des vêtements amples ou des bijoux. Portez une protection des cheveux pour contenir les cheveux longs. Ceux-ci risquent en effet d'être happés par des pièces en mouvement. L'utilisation de gants en caoutchouc et de chaussures robustes est recommandée pour les travaux à l'extérieur.

**PORTER DES LUNETTES DE SÉCURITÉ** – Lors de l'utilisation de ce produit, portez des lunettes de sécurité avec des écrans latéraux portant une marque de conformité à la norme ANSI Z87.1. Portez un masque facial ou anti-poussières en présence de poussières.

**UTILISER LE BON OUTIL** – N'utilisez pas l'outil pour une tâche pour laquelle il n'a pas été conçu.

**RETIREZ LA BATTERIE DE LE SOUFFLEUR SANS FIL** – quand elle n'est pas utilisée ou lors de l'entretien ou du nettoyage. Ne le laissez pas sans surveillance.

**VÉRIFIER LES PIÈCES ENDOMMAGÉES** – Avant de poursuivre l'utilisation du souffleur sans fil, toute protection ou autre pièce qui est endommagée doit être vérifiée avec précaution afin de déterminer qu'elle fonctionnera correctement et remplira sa fonction prévue. Vérifiez l'alignement des pièces mobiles, si ces dernières sont coincées, si certaines pièces sont cassées, la qualité du montage et toute autre condition pouvant affecter le fonctionnement de l'outil. Toute pièce endommagée doit être correctement réparée ou remplacée.

**ÉCLAIRAGE** – N'utilisez le souffleur sans fil qu'à la lumière du jour ou sous un bon éclairage artificiel.

**NE PAS ESSAYER DE COUPER TROP LOIN** – Conservez toujours une assise correcte et un bon équilibre.

⚠ **AVERTISSEMENT** : n'utilisez pas le souffleur sans fil avec n'importe quel type d'accessoire ou d'outil. Une telle utilisation pourrait être dangereuse.

**ÉVITER LES ENVIRONNEMENTS DANGEREUX** – N'utilisez pas le souffleur sans fil sous la pluie, dans les endroits humides ou mouillés. N'utilisez pas le taille-haie dans les atmosphères gazeuses ou explosives. Les moteurs de ces outils émettent normalement des étincelles, qui pourraient enflammer les vapeurs.

**ÉVITER UNE MISE EN MARCHÉ ACCIDENTELLE** – Ne portez pas le souffleur sans fil avec un doigt sur le contacteur. Assurez-vous que le contacteur est sur arrêt avant d'effectuer le branchement.

**NE TENTEZ PAS** de déplacer des cailloux ou des matériaux tranchants pendant le fonctionnement du souffleur. N'utilisez pas le souffleur sans fil à toute autre fin que celle pour laquelle il a été conçu.

**PROTECTION AUDITIVE**. Porter une protection auditive lors de l'utilisation prolongée. Le respect de cette règle réduira les risques de blessures graves.

⚠ **AVERTISSEMENT** : Ne pas insérer d'objet dans les ouvertures. Ne pas utiliser si une ouverture est bloquée ; veiller à ce que les ouvertures ne soient jamais obstruées par de la poussière, de la peluche, des cheveux ou quoi que ce soit risquant de réduire le flux d'air.

⚠ **AVERTISSEMENT** : Utiliser exclusivement les accessoires recommandés par le fabricant pour le modèle d'outil concerné décrit dans ce manuel. Des accessoires appropriés pour un outil peuvent être dangereux s'ils sont utilisés avec un autre. Utiliser exclusivement selon les instructions de ce manuel.

⚠ **AVERTISSEMENT** : Désactiver toutes les commandes avant de retirer la pile.

⚠ **AVERTISSEMENT** : Faire preuve d'une grande prudence lors du nettoyage des escaliers et des marches.

**POUR USAGE DOMESTIQUE.**

⚠ **ATTENTION** : maintenez les enfants et les petits animaux domestiques à une distance sûre pendant le fonctionnement du souffleur sans fil. Des projections de débris peuvent provoquer des blessures.

**NE PAS FORCER LE SOUFFLEUR SANS FIL** – Elle sera plus efficace et moins dangereuse à l'intensité pour laquelle elle a été conçue.

**RESTER VIGILANT** – Regardez ce que vous faites. Faites preuve de bon sens. N'utilisez pas le souffleur sans fil si vous êtes fatigué ou sous l'influence de médicaments, de drogues ou d'alcool.

**RANGER LE SOUFFLEUR SANS FIL À L'INTÉRIEUR** – Lorsqu'elle n'est pas utilisée, le souffleur sans fil doit être rangée à l'intérieur dans un endroit sec et élevé ou verrouillé, hors de portée des enfants.

⚠ **AVERTISSEMENT** : Proposition 65 de la Californie: Ce produit contient des agents chimiques connus dans l'État de la Californie pour causer le cancer et des malformations congénitales ou autres appareil reproducteur.

⚠ **AVERTISSEMENT** : l'utilisation de cet outil peut exposer l'utilisateur à des produits chimiques connus de l'État de Californie comme causes de cancer, d'anomalies congénitales ou d'autres effets néfastes sur la reproduction. La poussière et les débris générés durant la coupe, le perçage, le meulage ou le ponçage de certains matériaux peuvent contenir des produits chimiques connus de l'État de Californie comme causes de cancer, d'anomalies congénitales ou d'autres effets néfastes sur la reproduction. Pour réduire l'exposition à ces produits chimiques, toujours utiliser un équipement de sécurité homologué, travailler dans un endroit bien ventilé et porter un masque anti-poussière filtrant les particules microscopiques.

⚠ **AVERTISSEMENT**: Cancer ET Troubles de l'appareil reproducteur - [www.P65Warnings.ca.gov](http://www.P65Warnings.ca.gov).

⚠ **ATTENTION** : Déconnecter le bloc-piles avant d'effectuer des réglages, de changer d'accessoire ou de remettre l'outil. Ces mesures de sécurité réduisent les risques de démarrage accidentel de l'outil.

⚠ **ATTENTION** : Lorsque le bloc-piles n'est pas utilisé, le tenir à l'écart d'objets métalliques tels que : les attaches trombones, les pièces de monnaie, les clous, les vis et les autres petits objets métalliques risquant d'établir le contact entre les deux bornes. La mise en court-circuit des bornes de piles peut causer des étincelles, des brûlures ou un incendie.

⚠ **ATTENTION** : Utilisez uniquement les batteries de type et de taille suivants: BL86225, BL86240, BL86250.

Ne pas permettre d'être utilisé comme un jouet. Une attention particulière est nécessaire lorsque utilisé par ou près des enfants.

Si l'appareil ne fonctionne pas correctement, s'il est tombé, s'il a été endommagé, s'il est laissé à l'extérieur ou s'il est tombé dans l'eau, retournez-le à un centre de service.

Gardez les cheveux, les vêtements amples, les doigts et toutes les parties du corps à l'écart des ouvertures et des pièces mobiles.

N'utilisez pas de batterie ou d'appareil endommagé ou modifié. Les batteries endommagées ou modifiées peuvent présenter un comportement imprévisible entraînant un incendie, une explosion ou un risque de blessure.

Ne pas exposer une batterie ou un appareil au feu ou à une température excessive. L'exposition au feu ou à une température supérieure à 130 ° C peut provoquer une explosion. La température de 130 ° C peut être remplacée par la température de 265 ° F.

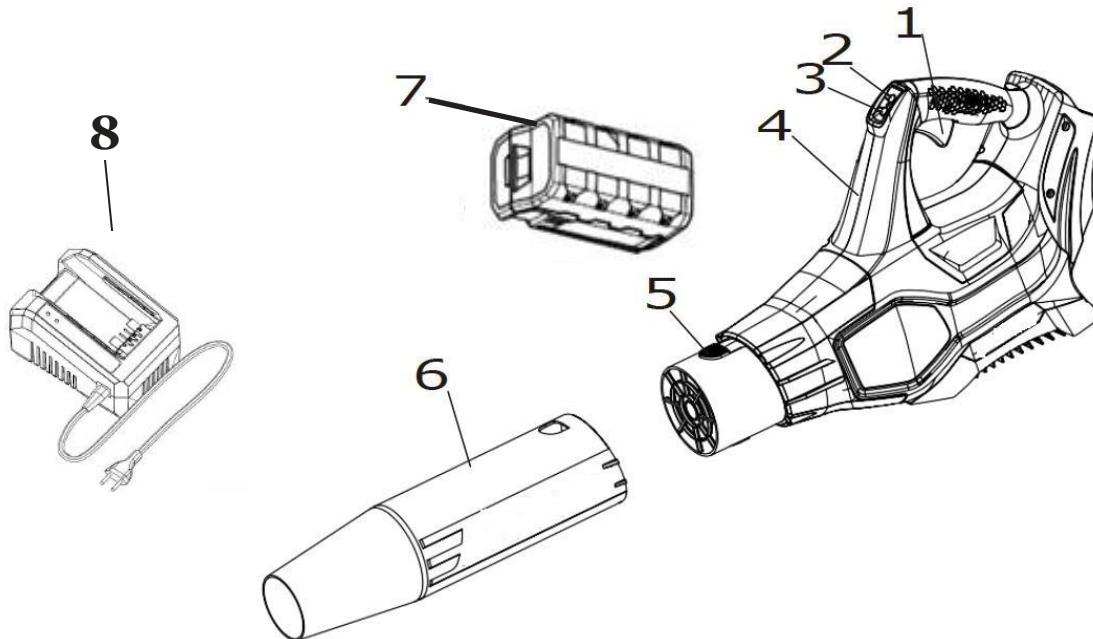
Suivez toutes les instructions de chargement et ne chargez pas la batterie ou l'appareil en dehors de la plage de température spécifiée dans les instructions. Une charge incorrecte ou à des températures inférieures à la plage spécifiée peut endommager la batterie et augmenter le risque d'incendie.

# CARACTÉRISTIQUES

## SPÉCIFICATIONS PRODUIT

### LB20062S

Entrée..... 62 V , CC uniquement  
Batterie.....62 V, 2.5 Ah  
Vitesse .....100-140 MPH/ 355-500 CFM  
Longueur de tube .....40 cm (15.70 po.)  
Poids.....4.36 kgs (9.6 livres)



N°	Description (Numéro de pièce)	N°	Description (Numéro de pièce)
1	Déclencheur de puissance	5	Loquet de tube
2	Bouton turbo	6	Tube souffleur
3	Bouton de verrouillage de sécurité	7	Batterie
4	Logement	8	Chargeur

## ASSEMBLAGE

### LISTE DU CONTENU

- Souffleuse
- Tube Souffleuse
- Batterie et chargeur
- Manuel d'instructions

Ce produit requiert un assemblage.

Enlevez avec précaution le produit et les accessoires du carton. Assurez-vous que tous les éléments figurant dans la liste du contenu sont inclus.

Inspectez soigneusement le produit pour vous assurer que rien n'a été cassé ou endommagé pendant le transport.

Ne jetez pas le matériau d'emballage tant que vous n'avez pas soigneusement inspecté et utilisé le produit de façon satisfaisante.

Appelez le 1-800-618-7474 pour obtenir de l'aide.

Pour éviter tout démarrage accidentel pouvant causer des blessures graves, retirez toujours la batterie du ventilateur lors du montage des pièces.

### ASSEMBLAGE DU TUBE (Fig. 1)

Faites glisser le tube du ventilateur sur la sortie du boîtier du ventilateur jusqu'à ce que le loquet du tube s'enclenche dans l'ouverture du tube du ventilateur.

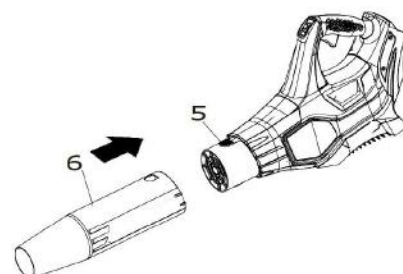


Fig. 1

# ASSEMBLAGE

## INSTALLATION DU BLOC DE BATTERIES (Fig. 2)

- Placez la batterie dans le port de batterie du ventilateur.  
Alignez la nervure surélevée de la batterie avec la rainure du port de la batterie du ventilateur.
- Assurez-vous que le loquet au bas de la batterie est bien enclenché et que la batterie est bien fixée dans le souffleur avant de commencer à fonctionner.

## RETRAIT DU BLOC DE PILES (Fig. 2)

- Relâchez la gâchette pour arrêter le ventilateur.
- Appuyez sur le bouton de verrouillage situé au bas de la batterie et maintenez-le enfoncé.
- Retirez la batterie du ventilateur.

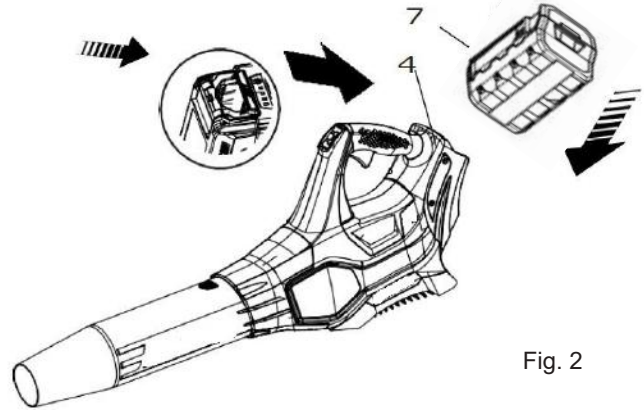


Fig. 2

**⚠ IMPORTANT:** Lorsque vous placez le bloc-batterie dans le ventilateur, assurez-vous que les nervures surélevées du bloc-batterie sont alignées sur les rainures situées sur le dessus du ventilateur. Assurez-vous que la batterie est correctement installée et qu'elle se verrouille correctement. Une installation incorrecte de la batterie peut endommager les composants internes.

# ENTRETIEN

## DÉMARRER / ARRÊTER LE SOUFFLEUR (Fig. 3 & Fig. 4)

- Pour démarrer le ventilateur, appuyez sur le bouton de verrouillage et appuyez sur la gâchette
- Pour arrêter le ventilateur, relâchez la gâchette.

Les outils à batterie sont toujours en état de fonctionnement. Par conséquent, l'interrupteur à gâchette de fonctionnement doit toujours être en position OFF (relâché) lorsqu'il n'est pas utilisé ou lorsque l'outil est transporté.

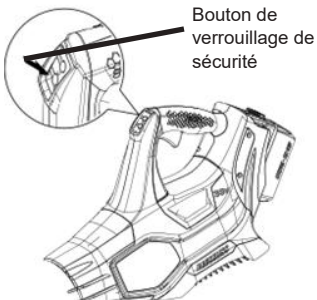


Fig. 3

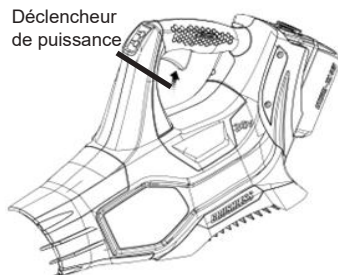


Fig. 4

## COMMANDES DE VITESSE DE L'AIR (Fig. 5)

- Appuyez sur le bouton turbo pour atteindre la vitesse maximale.
- Appuyez à nouveau sur ce bouton pour revenir à la vitesse normale.

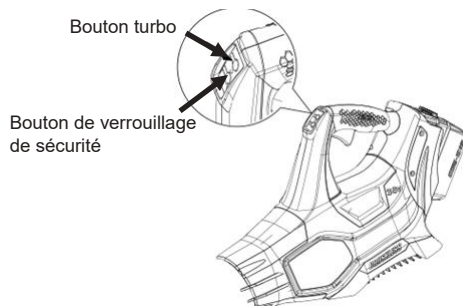


Fig. 5

## UTILISATION DU SOUFFLEUR (Fig. 6)

Pour éviter la dispersion des débris, soufflez autour des bords extérieurs d'un tas de débris. Ne soufflez jamais directement au centre d'une pile.

Utilisez des râpeaux et des balais pour détacher les débris avant de souffler. Dans des conditions poussiéreuses, humidifiez légèrement les surfaces lorsque de l'eau est disponible.

Économisez de l'eau en utilisant des soufflantes au lieu de tuyaux pour de nombreuses applications de pelouse et de jardin, y compris des gouttières, des patios, des grilles, des porches

Faites attention aux enfants, aux animaux domestiques, aux fenêtres ouvertes ou aux voitures fraîchement lavées, et emportez les débris en toute sécurité.

Après avoir utilisé des soufflantes ou un autre équipement, NETTOYEZ! Éliminer les débris correctement.

Ne laissez jamais de liquides de freins, d'essence, de produits à base de pétrole; les huiles pénétrantes, etc. entrer en contact avec des pièces en plastique. Ils contiennent des produits chimiques qui peuvent endommager, affaiblir ou détruire le plastique.

N'essayez pas de modifier cet outil ou de créer des accessoires non recommandés pour cet outil. Toute altération ou modification de ce type constitue une utilisation abusive et peut entraîner une situation dangereuse pouvant entraîner des blessures graves.

Pour éviter des blessures graves, retirez toujours la batterie de l'outil lors du nettoyage ou de la maintenance.



Fig. 6

## CHARGE DE LA BATTERIE

Ne chargez la batterie qu'avec le chargeur fourni.

Laissez au moins 90 minutes de temps de charge pour une batterie de 2,5 Ah, 140 minutes de temps de charge pour une batterie de 4,0 Ah, ou 180 minutes pour une batterie de 5Ah avant la première utilisation du ventilateur.

Assurez-vous que l'alimentation est d'une tension domestique normale : 120 V, 60 Hz, CA uniquement

Le chargeur de batterie doit fonctionner à des températures comprises entre 39 et 104°F.

La batterie doit être chargée dans un endroit frais et sec.

2 à 3 cycles initiaux de charge/décharge peuvent être nécessaires pour obtenir la durée/capacité maximum.

Ne tentez pas d'ouvrir le chargeur ou l'appareil. Ils ne contiennent pas de pièces réparables par le client. Appelez notre service clientèle au 1-800-618-7474 pour assistance.

NE brûlez PAS les batteries, même si elles sont sévèrement endommagées ou complètement usées. Elles peuvent exploser dans un feu et provoquer des blessures.

N'utilisez le chargeur de batterie qu'à l'intérieur.

Déconnectez le chargeur de l'alimentation quand il n'est pas utilisé afin d'éviter de l'endommager en cas de surtensions.

Lorsqu'elles sont entièrement chargées, les batteries peuvent être stockées de façon sûre à des températures pouvant atteindre - 20 °C (4 °F) pendant quatre semaines avant de devoir être chargées. Chargez complètement la batterie tous les 90 jours.

Si, avec le temps, la batterie s'épuise rapidement après une période complète de charge de 90, 140 ou 180 minutes, une batterie de rechange est nécessaire.

Pour éviter que la batterie ne subisse des dégâts permanents, ne la stockez jamais lorsqu'elle est déchargée.

**STOCKAGE HIVERNAL** - Recharger entièrement avant le stockage, puis à nouveau tous les 90 jours.

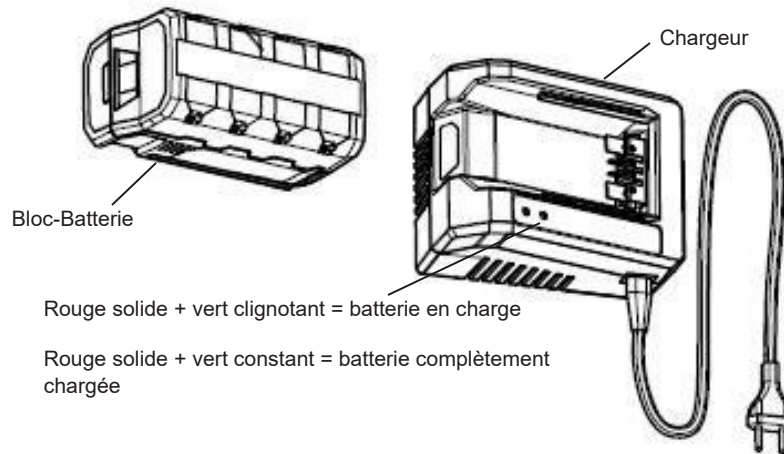
La batterie ne développant pas de mémoire, il n'est pas nécessaire qu'elle soit entièrement déchargée avant de la recharger.

Une faible fuite de liquide des compartiments de batterie peut se produire dans des conditions extrêmes d'utilisation, de charge ou de températures. Ceci n'est pas le signe d'une défaillance. Toutefois, si le joint extérieur est rompu et que cette fuite atteint votre peau :

- Lavez rapidement avec du savon et de l'eau.
- Neutralisez avec un acide doux, comme du jus de citron ou du vinaigre.
- Si du liquide de batterie atteint les yeux, rincez-les avec de l'eau pure pendant un minimum de 10 minutes et appelez immédiatement un médecin.

## CHARGE DE LA BATTERIE

### Chargeur et bloc-batterie



### MISE AU REBUT DE LA BATTERIE

Retirez la batterie de l'outil. Couvrez les bornes avec du ruban adhésif résistant. Ne tentez pas de détruire ou de démonter la batterie ou d'enlever des composants. Ce produit contient des batteries au lithium-ion qui doivent être recyclées ou éliminées de façon appropriée. Les lois locales, provinciales ou fédérales peuvent interdire l'élimination de ces batteries dans les déchets ménagers.



Le sceau RBRC sur la batterie au lithium-ion indique que le coût du recyclage de la batterie à la fin de sa durée de vie utile a déjà été payé par The Great States Corporation/American Lawn Mower Company. Il est illégal de placer des batteries lithium-ion usagées dans les ordures ménagères. RBRC, en coopération avec The Great States Corporation/American Lawn Mower Company, fournit un moyen facile et écologique de recycler les batteries lithium-ion usagées. Contactez votre centre de recyclage local ou appelez le 1-800-8-BATTERY pour des renseignements sur le lieu où vous pouvez apporter votre batterie morte.

# ENTRETIEN

Si le souffleur tombe, vérifiez avec soin qu'il n'est pas endommagé. Si le tube est cassé, le carter fendu, les poignées cassées ou si vous détectez un autre problème pouvant affecter le fonctionnement de l'outil, appelez notre service clientèle au 1-800-618-7474 pour assistance.

Assurez-vous que la batterie est détachée de l'appareil, n'utilisez ensuite que du savon doux et un chiffon mouillé pour nettoyer l'outil. Ne laissez jamais de liquide entrer dans l'outil; n'immergez jamais une partie de l'outil dans du liquide.

**⚠ IMPORTANT** : pour garantir la SÉCURITÉ et la FIABILITÉ du produit, les réparations, la maintenance et le réglage doivent être effectués par une personne qualifiée qui utilise toujours des pièces de rechange identiques.

**⚠ ATTENTION** : ne laissez jamais de liquide de frein, d'essence, de produits à base de pétrole, d'huiles pénétrantes, etc. entrer en contact avec les pièces en plastique car ils contiennent des produits chimiques pouvant endommager, affaiblir ou détruire le plastique.

Les engrais et autres produits chimiques de jardinage contiennent des agents qui accélèrent fortement la corrosion des métaux. Ne rangez pas l'outil sur ou à côté d'engrais ou de produits chimiques.

## ENTREPOSAGE DE LA SOUFFLEUSE

Nettoyez à fond la souffleuse avant de l'entreposer. Entreposez la souffleuse dans un endroit sec, bien aéré et inaccessible aux enfants. Tenez éloigné des agents corrosifs, comme les produits chimiques pour le jardin et les sels de déglacage.

■ Entrez et chargez vos batteries dans un endroit frais. Les températures au-dessus ou en-dessous de la température normale de la pièce réduiront la durée de vie du bloc-batterie.

■ N'entreposez jamais les batteries si elles sont déchargées. Attendez que le bloc-batterie se refroidisse et chargez-le complètement immédiatement.

■ Toutes les batteries perdent graduellement leur charge. Plus élevée est la température, plus rapidement la batterie perd sa charge. Si vous entreposez votre unité pour de longues périodes de temps sans l'utiliser, rechargez les batteries à chaque 1-2 mois. Cette pratique prolongera la durée de vie du bloc-batterie.

■ les batteries à chaque 3 mois.

Lorsqu'il n'est pas utilisé, la soufflante doit être rangé à l'intérieur dans un endroit sec et sous verrou, hors de la portée des enfants.

## DÉPANNAGE

Problème	Cause possible	Solution possible
- L'appareil ne fonctionne pas	- La batterie ne fait pas contact - Le déverrouillage n'est pas activé à fond  - La batterie n'est pas correctement installée - La batterie n'est pas chargée	- Vérifier que la batterie est insérée à fond - Vérifier que le déverrouillage est à fond vers l'avant avant d'activer le contacteur - Vérifier l'installation de la batterie - Vérifier les impératifs de charge de la batterie
- La batterie ne se charge pas	- La batterie n'est pas insérée dans le chargeur - La Chargeur n'est pas branché  - La température de l'air ambiant est trop élevée ou trop basse	- Insérer la batterie dans le chargeur jusqu'à ce que le voyant rouge s'allume - Braner le chargeur dans une prise opérationnelle - Vérifier le courant à la prise en branchant une lampe ou un autre appareil - Vérifier si la prise est connectée à un interrupteur d'éclairage qui coupe l'alimentation quand vous éteignez la lumière - Placer le chargeur et l'outil à une température ambiante supérieure à 4 °C (39 °F) ou inférieure à 40 °C (104 °F)

## PIÈCES ET SERVICE

### RÉPARATION

Pour les pièces ou la réparation, veuillez appeler le 1-800-618-7474 ou visitez-nous en ligne au [scotts.americanlawnmower.com](http://scotts.americanlawnmower.com). Veuillez fournir toute l'information pertinente lorsque vous nous appelez ou nous rendez visite.

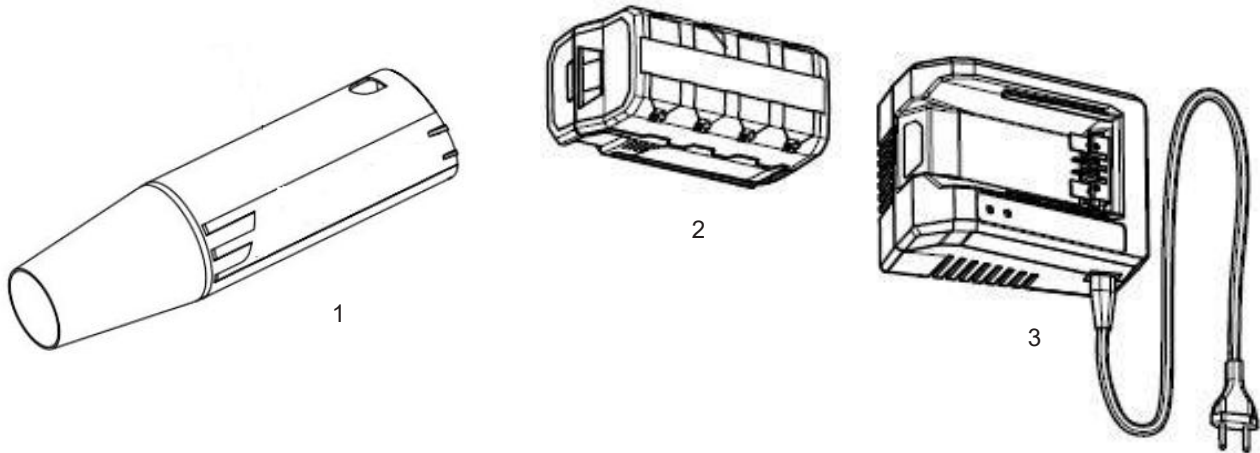
### PIÈCES DE RECHANGE (KITS/ ARTICLES)

Le numéro de modèle/ de série de cet outil se trouve sur une plaque ou une étiquette fixée au bâti. Notez votre numéro de série dans l'espace prévu ci-dessous.

NUMÉRO DE MODÈLE LB20062S

NUMÉRO DE SÉRIE \_\_\_\_\_

Toujours mentionner le numéro de modèle lors de la commande de kits pour cet outil.



N°	Numéro de kit/ Numéro d'article	Description	Quantité
1	LB62-BTK-1	Kit de tube de soufflante	1
2	BL86225	Batterie 62V 2.5Ah	1
3	CHL86200	Chargeur	1

### APPELEZ-NOUS D'ABORD!!

Appelez-nous d'abord pour toute question concernant le fonctionnement ou la maintenance de produit au 1-800-618-7474 entre 8h00 et 17h00, heure normale de l'Est, ou obtenir de l'aide sur [scotts.americanlawnmower.com](http://scotts.americanlawnmower.com).



# MANUEL DE L'UTILISATEUR

## SOUFFLEUSE AUTONOME AU LITHIUM DE 62 V

Copyright. Tous droits réservés.

### Modèle LB20062S

## GARANTIE

### Politique de garantie Scotts

- **Garantie limitée de 5 ans** sur tous les outils électriques au lithium-ion 62 V Scotts à compter de la date d'achat lorsqu'ils sont utilisés à des fins personnelles, domestiques ou familiales.
- **Garantie limitée de 3 ans** sur toutes les batteries et chargeurs au lithium-ion 62 V Scotts à compter de la date d'achat lorsqu'ils sont utilisés à des fins personnelles, domestiques ou familiales.

The Great States Corp. (GSC) garantit au propriétaire original que ce produit et cette pièce de rechange Scotts sont exempts de défauts de matériaux et de fabrication et accepte de réparer ou remplacer tout produit ou pièce défectueux pendant la période de garantie comme indiqué ci-dessus.

- La garantie est annulée en cas d'utilisation du produit à des fins commerciales ou industrielles ou à toute fin inappropriée comme déterminé par GSC.
- La garantie ne comprend pas les réparations nécessaires découlant d'un mauvais usage ou d'une négligence de l'utilisateur (y compris surcharger le produit au-delà de sa capacité ou immerger dans l'eau), ou le manquement à assembler, opérer, entretenir ou ranger le produit selon les instructions du manuel du propriétaire.
- Cette garantie ne couvre pas
  - ◇ L'usure des articles, notamment les - courroies et engrenages d'entraînements, dents, lames de coupe, lames de tondeuse, chaînes de scie, lames à déchiqueter, ventilateurs de souffleuse, couvercles de dévidoir, ligne de coupe, tubes de souffleuse et d'aspiration, barres-guides, tuyaux à haute pression, roues, poignées, tarières, sacs usés, câbles électriques et autres articles sujets à l'usure au fil du temps.
  - ◇ L'usure des batteries, y compris notamment - les chutes, l'usure et le bris sur le chargeur, l'exposition à des changements extrêmes de températures (chaud ou froid), la batterie laissée trop longtemps sur le chargeur, la batterie laissée trop longtemps non chargée, et un mauvais usage ou utilisation ou un mauvais traitement de la batterie.
- Cette garantie ne couvre pas les dommages causés par le froid, la chaleur, la pluie, l'humidité excessive et les autres conditions environnementales extrêmes.
- Cette garantie ne couvre pas la détérioration normale de la finition extérieure ou l'usure normale sur les produits, y compris notamment les éraflures, fissures, entailles ou dommages causés par des produits chimiques extérieurs.
- Cette garantie n'est pas transférable et s'applique seulement aux nouveaux produits vendus directement par un détaillant autorisé. Cette garantie ne s'applique pas à tout produit, neuf ou d'occasion, acheté par le biais de canaux tiers non autorisés. Pour de l'information sur les détaillants autorisés, communiquez avec notre ligne directe du service à la clientèle au 1-800-618-7474 (lun. au ven., 8 h à 17 h, HNE)
- Tout dommage, perte ou frais consécutif, indirect ou conséquent qui pourrait résulter d'un défaut, d'une défaillance ou d'un dysfonctionnement du produit n'est pas couvert par la garantie.
- La garantie ne comprend pas l'installation, l'assemblage ou les réglages normaux expliqués dans le manuel de l'opérateur. Les frais de livraison du produit au vendeur et les frais de renvoi du produit ou des pièces de rechange au propriétaire ne sont pas couverts par la garantie.

#### Limites supplémentaires concernant la garantie

Certains États/provinces ne permettent pas l'exclusion ou la limitation de la durée d'une garantie implicite; les restrictions ci-dessus peuvent donc ne pas s'appliquer. Les produits vendus endommagés ou incomplets, vendus tels quels, vendus remis en état ne sont pas couverts par la garantie. Les dommages ou responsabilités provoqués par le transport, un mauvais usage, une mauvaise manipulation, un mauvais assemblage, une tension ou un câblage incorrect, un mauvais usage, une mauvaise maintenance, une modification incorrecte ou l'utilisation d'accessoires ou d'outils non spécifiquement recommandés ne sont pas couverts par cette garantie.

**Une preuve d'achat (original du reçu de vente daté) doit accompagner toute réclamation de garantie.**

**Pour les réclamations, allez à [scotts.americanlawnmower.com](http://scotts.americanlawnmower.com) ou communiquez avec notre ligne directe du service à la clientèle de 8 h à 17 h HNE, lun. au ven. au 1-800-618-7474**



American Lawn Mower Company  
The Great States Corporation  
7444 Shadeland Station Way  
Indianapolis, IN 46256 États-Unis  
Téléphone 1-800-618-7474  
[scotts.americanlawnmower.com](http://scotts.americanlawnmower.com)

Dans le cadre d'un engagement permanent d'amélioration de la qualité,  
le Fabricant se réserve le droit d'apporter des modifications à des composants ou à la conception si nécessaire.

RÉV 01/29/2019